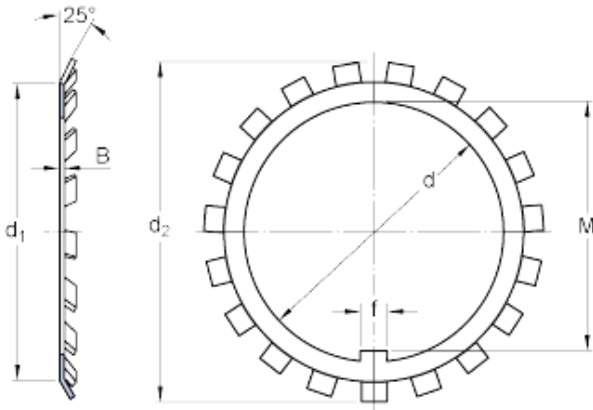




BEARINGS(UK)LTD.



skf MBL 38 Lock nuts requiring a keyway, MB(L) lock washers

Bearing No. MBL 38

d	190 mm
d ₁	210 mm
d ₂	232 mm
B	2.5 mm
f	20 mm
M	184 mm
Mass lock washer	0.17 kg

MBL 38 Bearing 2D drawings and 3D CAD models