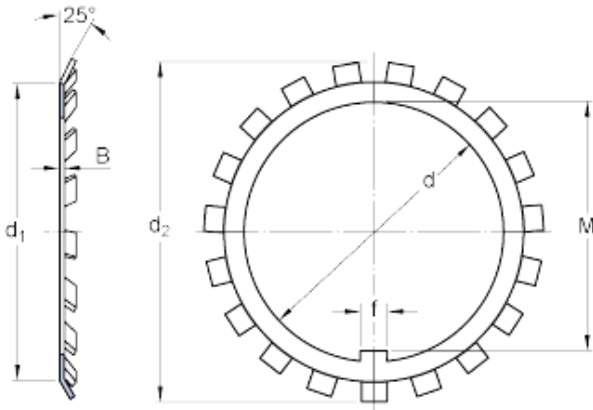




# BEARINGS(UK)LTD.



skf MB 2 A Lock nuts requiring a keyway, MB(L)  
lock washers

Bearing No. MB 2 A

d	15 mm
d <sub>1</sub>	21 mm
d <sub>2</sub>	28 mm
B	1.2 mm
f	4 mm
M	13.5 mm
Mass lock washer	0.0035 kg

MB 2 A Bearing 2D drawings and 3D CAD models