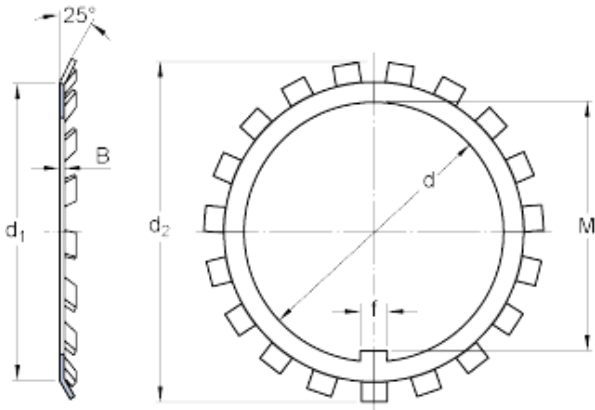




BEARINGS(UK)LTD.



skf MB 16 A Lock nuts requiring a keyway, MB(L) lock washers

Bearing No. MB 16 A

d	80 mm
d ₁	95 mm
d ₂	112 mm
B	2.5 mm
f	10 mm
M	76.5 mm
Mass lock washer	0.066 kg

MB 16 A Bearing 2D drawings and 3D CAD models