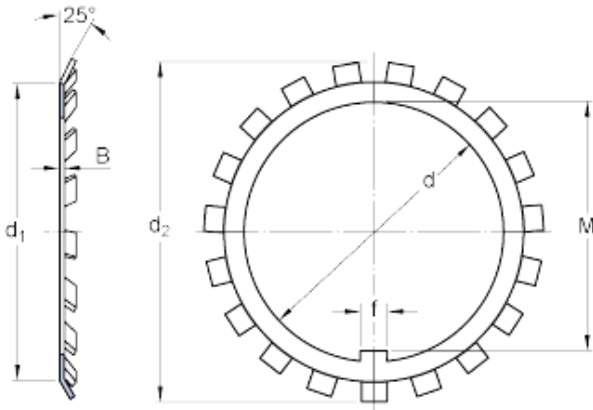




# BEARINGS(UK)LTD.



skf MBL 24 Lock nuts requiring a keyway,MB(L) lock washers

Bearing No. MBL 24

d	120 mm
d <sub>1</sub>	135 mm
d <sub>2</sub>	152 mm
B	2 mm
f	14 mm
M	115 mm
Mass lock washer	0.07 kg

MBL 24 Bearing 2D drawings and 3D CAD models