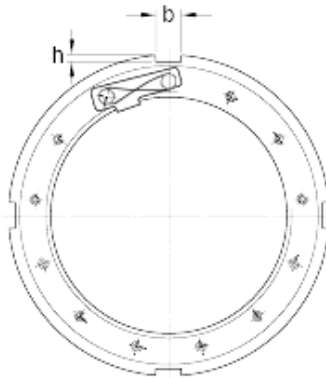
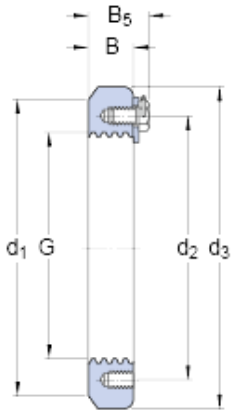




# BEARINGS(UK)LTD.



skf N 950 Lock nuts requiring a keyway (inch)

Bearing No. N 950

G	950.214 mm
Threads per inch	3
d <sub>1</sub>	1028.7 mm
d <sub>2</sub>	1031.494 mm
d <sub>3</sub> max.	1092.327 mm
B	100.406 mm
B <sub>5</sub>	117.45 mm
b	62.992 mm
h	25.654 mm
Mass lock nut	175 kg
Hexagonal head bolt	3/4-10x1-1/2

N 950 Bearing 2D drawings and 3D CAD models