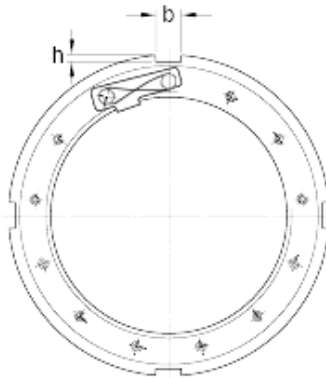
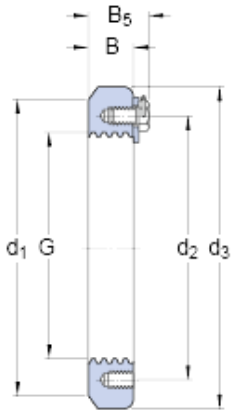




BEARINGS(UK)LTD.



skf N 800 Lock nuts requiring a keyway (inch)

Bearing No. N 800

G	800.202 mm
d ₁	869.95 mm
d ₂	879.094 mm
d ₃ max.	920.877 mm
B	90.881 mm
B ₅	105.893 mm
b	56.642 mm
h	25.654 mm
Mass lock nut	114 kg
Associated spanner	TMFN 600-750
Locking device	PL 800
Hexagonal head bolt	5/8-11x1-1/4

N 800 Bearing 2D drawings and 3D CAD models