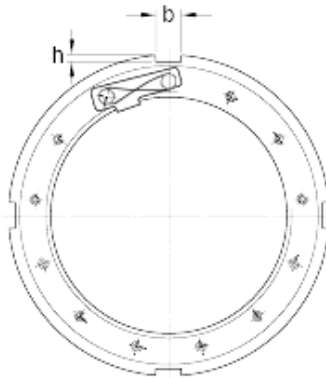
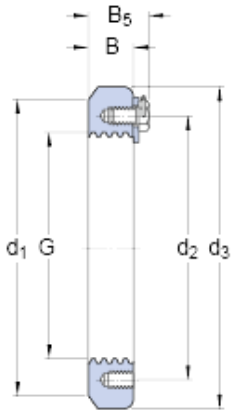




BEARINGS(UK)LTD.



skf N 600 Lock nuts requiring a keyway (inch)

Bearing No. N 600

G	600.024 mm
Threads per inch	4
d ₁	660.4 mm
d ₂	658.444 mm
d ₃ max.	700.227 mm
B	75.006 mm
B ₅	89.205 mm
b	40.767 mm
h	20.904 mm
Mass lock nut	59 kg
Associated spanner	TMFN 500-600
Locking device	PL 600
Hexagonal head bolt	5/8-11x1-1/4

N 600 Bearing 2D drawings and 3D CAD models