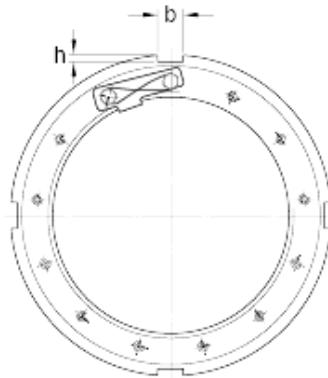
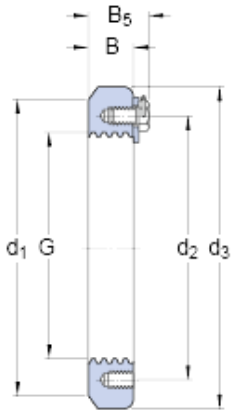




# BEARINGS(UK)LTD.



skf N 088 Lock nuts requiring a keyway (inch)

Bearing No. N 088

G	439.903 mm
Threads per inch	5
d <sub>1</sub>	488.95 mm
d <sub>2</sub>	485.394 mm
d <sub>3</sub> max.	520.827 mm
B	60.579 mm
B <sub>5</sub>	73.812 mm
b	34.417 mm
h	15.342 mm
Mass lock nut	28.2 kg
Associated spanner	TMFN 64-80
Hexagonal head bolt	5/8-11x1

N 088 Bearing 2D drawings and 3D CAD models