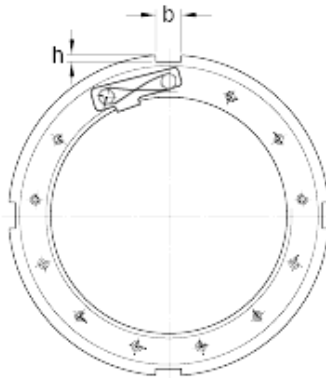
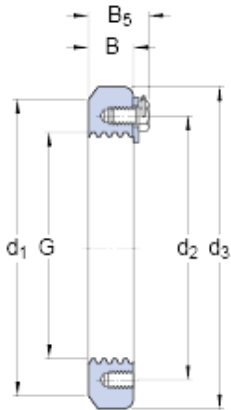




# BEARINGS(UK)LTD.



skf N 096 Lock nuts requiring a keyway (inch)

Bearing No. N 096

G	479.908 mm
Threads per inch	5
d <sub>1</sub>	527.05 mm
d <sub>2</sub>	525.094 mm
d <sub>3</sub> max.	560.527 mm
B	60.579 mm
B <sub>5</sub>	74.6 mm
b	37.592 mm
h	15.342 mm
Mass lock nut	30.4 kg
Associated spanner	TMFN 80-500
Locking device	PL 96
Hexagonal head bolt	5/8-11x1-1/4

N 096 Bearing 2D drawings and 3D CAD models