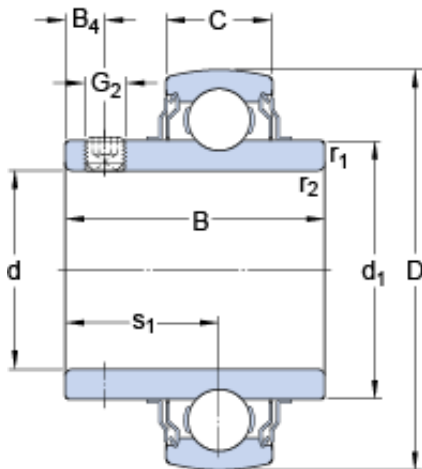




## BEARINGS(UK)LTD.



36.512 mm x 72 mm x 42.9 mm skf YAR  
207-107-2FW/VA201 Insert bearings with grub  
screws for high temperature applications

Bearing No. YAR 207-107-2FW/VA201

YAR 207-107-2FW/VA201 Bearing 2D drawings and 3D  
CAD models

Size	72x36.512x42.9 mm
Bore Diameter	72 mm
Outer Diameter	36,512 mm
Width	42,9 mm
d	36.512 mm
D	72 mm
B	42.9 mm
C	19 mm
d <sub>1</sub>	46.1 mm
B <sub>4</sub>	6 mm
s <sub>1</sub>	25.4 mm
r <sub>1,2</sub> - min.	1 mm
Basic dynamic load rating - C	25.5 kN
Basic static load rating - C <sub>0</sub>	15.3 kN
Limiting speed	80 r/min
Limiting temperature - T	250 ° C
Mass bearing	0.42 kg
Grub (set) screw - G <sub>2</sub> - 5/16-24 UNF	5/1624 UNF
Hexagonal key size for grub screw - H	3.969 mm
Category	Bearings
Inventory	0.0
Manufacturer Name	SKF



## BEARINGS(UK)LTD.

Minimum Buy Quantity	N/A
Weight / Kilogram	0
Product Group	M06110
$d_1$	46.1 mm
$B_4$	6 mm
$s_1$	25.4 mm
$r_{1,2}$ min.	1 mm
Basic dynamic load rating C	25.5 kN
Basic static load rating $C_0$	15.3 kN
Limiting temperature T max.	250 ° C
Grub (set) screw $G_2$	5/16-24 UNF
Hexagonal key size for grub screw N	3.969 mm
Recommended tightening torque for grub screw	6.5 N · m