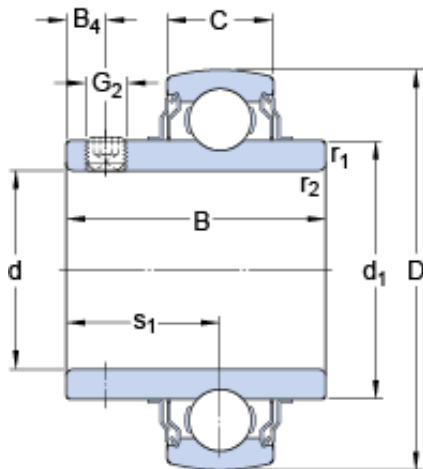




BEARINGS(UK)LTD.



25.4 mm x 52 mm x 34.1 mm skf YAR
205-100-2FW/VA201 Insert bearings with grub
screws for high temperature applications

Bearing No. YAR 205-100-2FW/VA201

Size	52x25.4x34.1 mm
Bore Diameter	52 mm
Outer Diameter	25,4 mm
Width	34,1 mm
d	25.4 mm
D	52 mm
B	34.1 mm
C	15 mm
d ₁	33.74 mm
B ₄	5 mm
s ₁	19.8 mm
r _{1,2} - min.	0.6 mm
Basic dynamic load rating - C	14 kN
Basic static load rating - C ₀	7.8 kN
Limiting speed	110 r/min
Limiting temperature - T	250 ° C
Mass bearing	0.19 kg
Grub (set) screw - G ₂ - 1/4-28 UNF	1/428 UNF
Hexagonal key size for grub screw - H	3.175 mm
Category	Bearings
Inventory	0.0
Manufacturer Name	SKF

YAR 205-100-2FW/VA201 Bearing 2D drawings and 3D CAD models



BEARINGS(UK)LTD.

Minimum Buy Quantity	N/A
Weight / Kilogram	0
Product Group	M06110
d_1	33.74 mm
B_4	5 mm
s_1	19.8 mm
$r_{1,2}$ min.	0.6 mm
Basic dynamic load rating C	14 kN
Basic static load rating C_0	7.8 kN
Limiting temperature T max.	250 ° C
Grub (set) screw G_2	1/4-28 UNF
Hexagonal key size for grub screw N	3.175 mm
Recommended tightening torque for grub screw	4 N · m