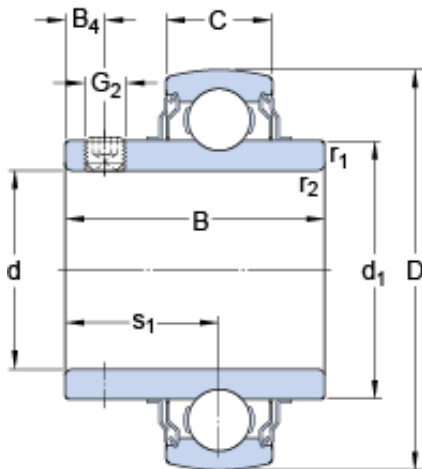




BEARINGS(UK)LTD.



38.1 mm x 80 mm x 49.2 mm skf YAR
208-108-2FW/VA201 Insert bearings with grub
screws for high temperature applications

Bearing No. YAR 208-108-2FW/VA201

Size	80x38.1x49.2 mm
Bore Diameter	80 mm
Outer Diameter	38,1 mm
Width	49,2 mm
d	38.1 mm
D	80 mm
B	49.2 mm
C	21 mm
d ₁	51.8 mm
B ₄	8 mm
s ₁	30.2 mm
r _{1,2} - min.	1 mm
Basic dynamic load rating - C	30.7 kN
Basic static load rating - C ₀	19 kN
Limiting speed	70 r/min
Limiting temperature - T	250 ° C
Mass bearing	0.59 kg
Grub (set) screw - G ₂ - 5/16-24 UNF	5/1624 UNF
Hexagonal key size for grub screw - H	3.969 mm
d ₁	51.8 mm
B ₄	8 mm
s ₁	30.2 mm

YAR 208-108-2FW/VA201 Bearing 2D drawings and 3D
CAD models



BEARINGS(UK)LTD.

$r_{1,2}$ min.	1 mm
Basic dynamic load rating C	30.7 kN
Basic static load rating C_0	19 kN
Limiting temperature T max.	250 ° C
Grub (set) screw G_2	5/16-24 UNF
Hexagonal key size for grub screw N	3.969 mm
Recommended tightening torque for grub screw	6.5 N · m