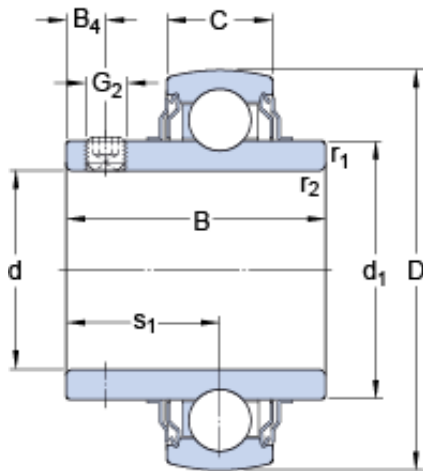




BEARINGS(UK)LTD.



25.4 mm x 52 mm x 34.1 mm skf YAR
205-100-2FW/VA228 Insert bearings with grub
screws for high temperature applications

Bearing No. YAR 205-100-2FW/VA228

YAR 205-100-2FW/VA228 Bearing 2D drawings and 3D
CAD models

Size	52x25.4x34.1 mm
Bore Diameter	52 mm
Outer Diameter	25,4 mm
Width	34,1 mm
d	25.4 mm
D	52 mm
B	34.1 mm
C	15 mm
d ₁	33.74 mm
B ₄	5 mm
s ₁	19.8 mm
r _{1,2} - min.	0.6 mm
Basic dynamic load rating - C	14 kN
Basic static load rating - C ₀	7.8 kN
Limiting speed	230 r/min
Limiting temperature - T	350 ° C
Mass bearing	0.19 kg
Grub (set) screw - G ₂ - 1/4-28 UNF	1/428 UNF
Hexagonal key size for grub screw - H	3.175 mm
Category	Insert Bearings Spherical OD
Inventory	0.0



BEARINGS(UK)LTD.

Manufacturer Name	SKF
Minimum Buy Quantity	N/A
Weight / Kilogram	0.17
EAN	7316571680606
Product Group	M06110
Inner Race Profile	Wide Inner Ring
Outer Race Profile	Spherical
Relubricatable	No
Seal Type	M Seal
Mounting Method	Set Screw
Rolling Element	Ball Bearing
Snap Ring	No
Long Description	1" Bore; Wide Inner Ring; Ball Bearing; 1.343" Length Thru Bore; 0.591" Outer Race Width; 2.047" Outside Diameter; Not Relubricatable; M Seal Seal; Set Screw Mounting Method
Inch - Metric	Inch
Other Features	Single Row Standard Duty Grub Screw Hi-Temp Bearing With Graphite Technology Has Flinger
Category	Insert Bearings
UNSPSC	31171536
Harmonized Tariff Code	8482.10.50.00
Noun	Bearing
Keyword String	Insert
Manufacturer URL	http://www.skf.com
Manufacturer Item Number	YAR 205-100-2FW/VA228
Weight / LBS	0.375
Outside Diameter	2.047 Inch 51.994 Millimeter
Bore	1 Inch 25.4 Millimeter



BEARINGS(UK)LTD.

Outer Race Width	0.591 Inch 15.011 Millimeter
Length Thru Bore	1.343 Inch 34.112 Millimeter
bore diameter:	1.0000 in
radial static load capacity:	7.8 kN
outside diameter:	52 mm
bearing material:	Stainless Steel
outer ring width:	15 mm
finish/coating:	Zinc Plated
inner ring width:	34.1 mm
maximum rpm:	230 RPM
bore type:	Round
seal type:	Contact with Flinger
locking device:	Set Screw
series:	YAR2
operating temperature range:	-240 to +660 ° F
d_1	33.74 mm
B_4	5 mm
s_1	19.8 mm
$r_{1,2}$ min.	0.6 mm
Basic dynamic load rating C	14 kN
Basic static load rating C_0	7.8 kN
Limiting temperature T max.	350 ° C
Grub (set) screw G_2	1/4-28 UNF
Hexagonal key size for grub screw N	3.175 mm
Recommended tightening torque for grub screw	4 N · m