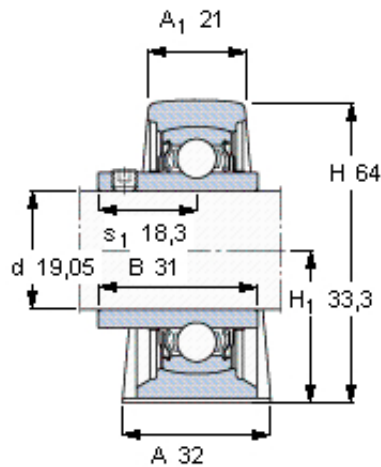




## BEARINGS(UK)LTD.

19.05 mm x 47 mm x 31 mm skf YAR  
204-012-2FW/VA228 Insert bearings with grub  
screws for high temperature applications



Bearing No. YAR 204-012-2FW/VA228

Size	19.05x32x64 mm
Bore Diameter	19,05 mm
Outer Diameter	32 mm
Width	64 mm
d	19,05 mm
A	32 mm
H	64 mm
H <sub>1</sub>	33,3 mm
L	127 mm
C <sub>0</sub> - Static load	6,55 kN
Weight	0,57 kg
Grub (set) screw - - 10-32x1/4	1032x1/4
Size hexagonal key	3,175
Size	19.05x29.5x63.5 mm
Bore Diameter	19,05 mm
Outer Diameter	29,5 mm
Width	63,5 mm
d	19,05 mm
A <sub>1</sub>	29,5 mm
J	63,5 mm
L	86 mm
T	37,3 mm
C <sub>0</sub> - Static load	6,55 kN
Weight	0,61 kg

YAR 204-012-2FW/VA228 Bearing 2D drawings and 3D  
CAD models



## BEARINGS(UK)LTD.

Grub (set) screw - - 10-32x1/4	1032x1/4
Size hexagonal key	3,175 mm
Size	19.05x24.61x89.7 mm
Bore Diameter	19,05 mm
Outer Diameter	24,61 mm
Width	89,7 mm
d	19,05 mm
A <sub>1</sub>	24,61 mm
J	89,7 mm
L	60,3 mm
T	32,6 mm
C <sub>0</sub> - Static load	6,55 kN
Weight	0,5 kg
Size	47x19.05x31 mm
Bore Diameter	47 mm
Outer Diameter	19,05 mm
Width	31 mm
d	19.05 mm
D	47 mm
B	31 mm
C	14 mm
d <sub>1</sub>	28.2 mm
B <sub>4</sub>	4.5 mm
s <sub>1</sub>	18.3 mm
r <sub>1,2</sub> - min.	0.6 mm
Basic dynamic load rating - C	12.7 kN
Basic static load rating - C <sub>0</sub>	6.6 kN
Limiting speed	270 r/min
Limiting temperature - T	350 ° C
Mass bearing	0.17 kg



## BEARINGS(UK)LTD.

Grub (set) screw - G <sub>2</sub> - 1/4-28 UNF	1/428 UNF
Hexagonal key size for grub screw - H	3.175 mm
Category	Insert Bearings Spherical OD
Inventory	0.0
Manufacturer Name	SKF
Minimum Buy Quantity	N/A
Weight / Kilogram	0.14
Product Group	M06110
Inner Race Profile	Wide Inner Ring
Outer Race Profile	Spherical
Relubricatable	No
Seal Type	M Seal
Mounting Method	Set Screw
Rolling Element	Ball Bearing
Snap Ring	No
Long Description	3/4" Bore; Wide Inner Ring; Ball Bearing; 1.221" Length Thru Bore; 0.551" Outer Race Width; 1.85" Outside Diameter; Not Relubricatable; M Seal Seal; Set Screw Mounting Method
Inch - Metric	Inch
Other Features	Single Row   Standard Duty   Grub Screw   Hi-Temp Bearing With Graphite Technology   Has Flinger
Category	Insert Bearings
UNSPSC	31171536
Harmonized Tariff Code	8482.10.50.00
Noun	Bearing
Keyword String	Insert



## BEARINGS(UK)LTD.

Manufacturer URL	<a href="http://www.skf.com">http://www.skf.com</a>
Manufacturer Item Number	YAR 204-012-2FW/VA228
Weight / LBS	0.309
Bore	0.75 Inch   19.05 Millimeter
Outer Race Width	0.551 Inch   13.995 Millimeter
Length Thru Bore	1.221 Inch   31.013 Millimeter
Outside Diameter	1.85 Inch   46.99 Millimeter
bore diameter:	0.7500 in
radial static load capacity:	6.55 kN
outside diameter:	47 mm
bearing material:	Stainless Steel
outer ring width:	14 mm
finish/coating:	Zinc Plated
inner ring width:	31 mm
maximum rpm:	270 RPM
bore type:	Round
seal type:	Contact with Flinger
locking device:	Set Screw
series:	YAR2
operating temperature range:	-240 to +660 ° F
$d_1$	28.2 mm
$B_4$	4.5 mm
$s_1$	18.3 mm
$r_{1,2} \text{ min.}$	0.6 mm
Basic dynamic load rating C	12.7 kN
Basic static load rating $C_0$	6.55 kN
Limiting temperature T max.	350 ° C
Grub (set) screw $G_2$	1/4-28 UNF
Hexagonal key size for grub screw N	3.175 mm



## BEARINGS(UK)LTD.

Recommended tightening torque for grub screw	4 N · m
---	---------