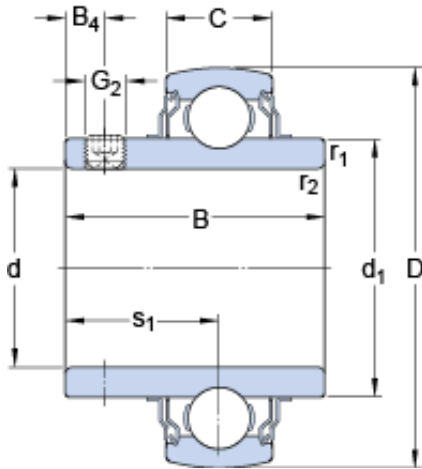




## BEARINGS(UK)LTD.



55.562 mm x 100 mm x 55.6 mm skf YAR  
211-203-2FW/VA201 Insert bearings with grub  
screws for high temperature applications

Bearing No. YAR 211-203-2FW/VA201

Size	100x55.562x55.6 mm
Bore Diameter	100 mm
Outer Diameter	55,562 mm
Width	55,6 mm
d	55.562 mm
D	100 mm
B	55.6 mm
C	25 mm
d <sub>1</sub>	69.06 mm
B <sub>4</sub>	9 mm
s <sub>1</sub>	33.4 mm
r <sub>1,2</sub> - min.	1 mm
Basic dynamic load rating - C	25 kN
Basic static load rating - C <sub>0</sub>	29 kN
Limiting speed	50 r/min
Limiting temperature - T	250 ° C
Mass bearing	1.05 kg
Grub (set) screw - G <sub>2</sub> - 3/8-24 UNF	3/824 UNF
Hexagonal key size for grub screw - H	4.762 mm
d <sub>1</sub>	69.06 mm
B <sub>4</sub>	9 mm
s <sub>1</sub>	33.4 mm

YAR 211-203-2FW/VA201 Bearing 2D drawings and 3D  
CAD models



## BEARINGS(UK)LTD.

$r_{1,2}$ min.	1 mm
Basic dynamic load rating C	25 kN
Basic static load rating $C_0$	29 kN
Limiting temperature T max.	250 ° C
Grub (set) screw $G_2$	3/8-24 UNF
Hexagonal key size for grub screw N	4.763 mm
Recommended tightening torque for grub screw	16.5 N · m