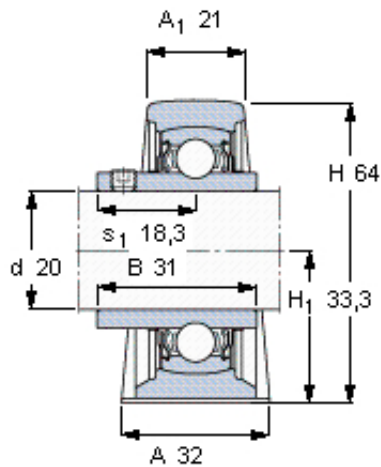




BEARINGS(UK)LTD.



20 mm x 47 mm x 31 mm skf YAR
204-2FW/VA228 Insert bearings with grub screws
for high temperature applications

Bearing No. YAR 204-2FW/VA228

YAR 204-2FW/VA228 Bearing 2D drawings and 3D
CAD models

Size	20x32x64 mm
Bore Diameter	20 mm
Outer Diameter	32 mm
Width	64 mm
d	20 mm
A	32 mm
H	64 mm
H ₁	33,3 mm
L	127 mm
C ₀ - Static load	6,55 kN
Weight	0,57 kg
Grub (set) screw	M6x0,75
Size hexagonal key	3
Size	20x29.5x63.5 mm
Bore Diameter	20 mm
Outer Diameter	29,5 mm
Width	63,5 mm
d	20 mm
A ₁	29,5 mm
J	63,5 mm
L	86 mm
T	37,3 mm
C ₀ - Static load	6,55 kN
Weight	0,6 kg



BEARINGS(UK)LTD.

Size	20x24.61x89.7 mm
Bore Diameter	20 mm
Outer Diameter	24,61 mm
Width	89,7 mm
d	20 mm
A ₁	24,61 mm
J	89,7 mm
L	60,3 mm
T	32,6 mm
C ₀ - Static load	6,55 kN
Weight	0,5 kg
Size	47x20x31 mm
Bore Diameter	47 mm
Outer Diameter	20 mm
Width	31 mm
d	20 mm
D	47 mm
B	31 mm
C	14 mm
d ₁	28.2 mm
B ₄	4.5 mm
s ₁	18.3 mm
r _{1,2} - min.	0.6 mm
Basic dynamic load rating - C	12.7 kN
Basic static load rating - C ₀	6.6 kN
Limiting speed	260 r/min
Limiting temperature - T	350 ° C
Mass bearing	0.14 kg
Grub (set) screw - G ₂	M6x0.75
Hexagonal key size for grub screw - H	3 mm



BEARINGS(UK)LTD.

Category	Bearings
Inventory	0.0
Manufacturer Name	SKF
Minimum Buy Quantity	N/A
Weight / Kilogram	0
EAN	7316571455013
Product Group	M06110
d_1	28.2 mm
B_4	4.5 mm
s_1	18.3 mm
$r_{1,2}$ min.	0.6 mm
Basic dynamic load rating C	12.7 kN
Basic static load rating C_0	6.55 kN
Limiting temperature T max.	350 ° C
Grub (set) screw G_2	M6x0.75
Hexagonal key size for grub screw N	3 mm
Recommended tightening torque for grub screw	4 N · m