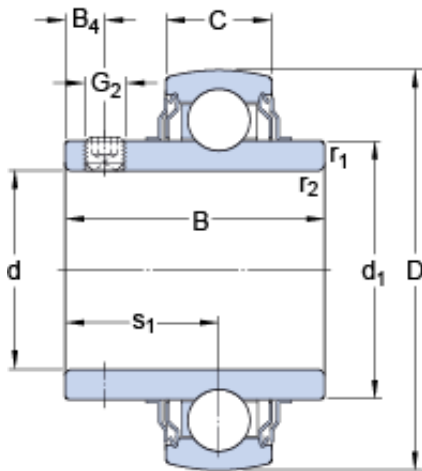




## BEARINGS(UK)LTD.



30.163 mm x 62 mm x 38.1 mm skf YAR  
206-103-2FW/VA228 Insert bearings with grub  
screws for high temperature applications

Bearing No. YAR 206-103-2FW/VA228

YAR 206-103-2FW/VA228 Bearing 2D drawings and 3D  
CAD models

Size	62x30.163x38.1 mm
Bore Diameter	62 mm
Outer Diameter	30,163 mm
Width	38,1 mm
d	30.163 mm
D	62 mm
B	38.1 mm
C	18 mm
d <sub>1</sub>	39.7 mm
B <sub>4</sub>	5 mm
s <sub>1</sub>	22.2 mm
r <sub>1,2</sub> - min.	0.6 mm
Basic dynamic load rating - C	19.5 kN
Basic static load rating - C <sub>0</sub>	11.2 kN
Limiting speed	190 r/min
Limiting temperature - T	350 ° C
Mass bearing	0.31 kg
Grub (set) screw - G <sub>2</sub> - 1/4-28 UNF	1/428 UNF
Hexagonal key size for grub screw - H	3.175 mm
Category	Insert Bearings Spherical OD
Inventory	0.0



## BEARINGS(UK)LTD.

Manufacturer Name	SKF
Minimum Buy Quantity	N/A
Weight / Kilogram	0.27
Product Group	M06110
Inner Race Profile	Wide Inner Ring
Outer Race Profile	Spherical
Relubricatable	No
Seal Type	M Seal
Mounting Method	Set Screw
Rolling Element	Ball Bearing
Snap Ring	No
Long Description	1-3/16" Bore; Wide Inner Ring; Ball Bearing; 1.5" Length Thru Bore; 0.709" Outer Race Width; 2.441" Outside Diameter; Not Relubricatable; M Seal Seal; Set Screw Mounting Method
Inch - Metric	Inch
Other Features	Single Row   Standard Duty   Grub Screw   Hi-Temp Bearing With Graphite Technology   Has Flinger
Category	Insert Bearings
UNSPSC	31171536
Harmonized Tariff Code	8482.10.50.00
Noun	Bearing
Keyword String	Insert
Manufacturer URL	<a href="http://www.skf.com">http://www.skf.com</a>
Manufacturer Item Number	YAR 206-103-2FW/VA228
Weight / LBS	0.595
Length Thru Bore	1.5 Inch   38.1 Millimeter
Bore	1.188 Inch   30.175 Millimeter
Outer Race Width	0.709 Inch   18.009



## BEARINGS(UK)LTD.

	Millimeter
Outside Diameter	2.441 Inch   62.001 Millimeter
bore diameter:	1.1875 in
radial static load capacity:	11.2 kN
outside diameter:	2.4409 in
bearing material:	Stainless Steel
outer ring width:	18 mm
finish/coating:	Zinc Plated
inner ring width:	38.1 mm
maximum rpm:	190 RPM
bore type:	Round
seal type:	Contact with Flinger
locking device:	Set Screw
series:	YAR2
operating temperature range:	-240 to +660 ° F
$d_1$	39.7 mm
$B_4$	5 mm
$s_1$	22.2 mm
$r_{1,2}$ min.	0.6 mm
Basic dynamic load rating C	19.5 kN
Basic static load rating $C_0$	11.2 kN
Limiting temperature T max.	350 ° C
Grub (set) screw $G_2$	1/4-28 UNF
Hexagonal key size for grub screw N	3.175 mm
Recommended tightening torque for grub screw	4 N · m