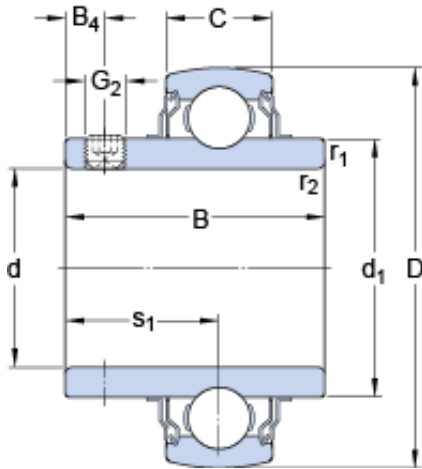




## BEARINGS(UK)LTD.



40 mm x 80 mm x 49.2 mm skf YAR  
208-2FW/VA201 Insert bearings with grub screws  
for high temperature applications

Bearing No. YAR 208-2FW/VA201

Size	80x40x49.2 mm
Bore Diameter	80 mm
Outer Diameter	40 mm
Width	49,2 mm
d	40 mm
D	80 mm
B	49.2 mm
C	21 mm
d <sub>1</sub>	51.8 mm
B <sub>4</sub>	8 mm
s <sub>1</sub>	30.2 mm
r <sub>1,2</sub> - min.	1 mm
Basic dynamic load rating - C	30.7 kN
Basic static load rating - C <sub>0</sub>	19 kN
Limiting speed	70 r/min
Limiting temperature - T	250 ° C
Mass bearing	0.55 kg
Grub (set) screw - G <sub>2</sub>	M8x1
Hexagonal key size for grub screw - H	4 mm
Category	Bearings
Inventory	0.0
Manufacturer Name	SKF

YAR 208-2FW/VA201 Bearing 2D drawings and 3D CAD models



## BEARINGS(UK)LTD.

Minimum Buy Quantity	N/A
Weight / Kilogram	0.593
Product Group	M06110
$d_1$	51.8 mm
$B_4$	8 mm
$s_1$	30.2 mm
$r_{1,2}$ min.	1 mm
Basic dynamic load rating C	30.7 kN
Basic static load rating $C_0$	19 kN
Limiting temperature T max.	250 ° C
Grub (set) screw $G_2$	M8x1
Hexagonal key size for grub screw N	4 mm
Recommended tightening torque for grub screw	6.5 N · m