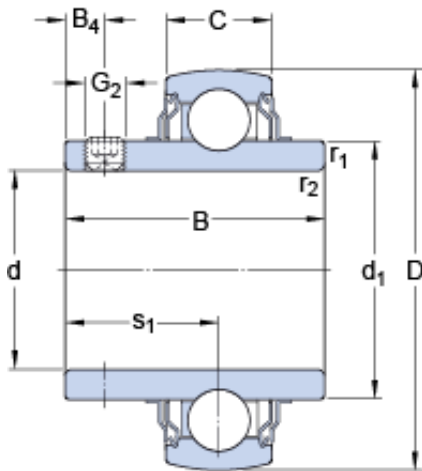




## BEARINGS(UK)LTD.



30 mm x 62 mm x 38.1 mm skf YAR  
206-2FW/VA228 Insert bearings with grub screws  
for high temperature applications

Bearing No. YAR 206-2FW/VA228

YAR 206-2FW/VA228 Bearing 2D drawings and 3D  
CAD models

Size	62x30x38.1 mm
Bore Diameter	62 mm
Outer Diameter	30 mm
Width	38,1 mm
d	30 mm
D	62 mm
B	38.1 mm
C	18 mm
d <sub>1</sub>	39.7 mm
B <sub>4</sub>	5 mm
s <sub>1</sub>	22.2 mm
r <sub>1,2</sub> - min.	0.6 mm
Basic dynamic load rating - C	19.5 kN
Basic static load rating - C <sub>0</sub>	11.2 kN
Limiting speed	190 r/min
Limiting temperature - T	350 ° C
Mass bearing	0.28 kg
Grub (set) screw - G <sub>2</sub>	M6x0.75
Hexagonal key size for grub screw - H	3 mm
Category	Mounted Units & Inserts
Inventory	0.0
Manufacturer Name	SKF



## BEARINGS(UK)LTD.

Minimum Buy Quantity	N/A
Weight / Kilogram	0.298
EAN	7316571508139
Product Group	M06110
$d_1$	39.7 mm
$B_4$	5 mm
$s_1$	22.2 mm
$r_{1,2}$ min.	0.6 mm
Basic dynamic load rating C	19.5 kN
Basic static load rating $C_0$	11.2 kN
Limiting temperature T max.	350 ° C
Grub (set) screw $G_2$	M6x0.75
Hexagonal key size for grub screw N	3 mm
Recommended tightening torque for grub screw	4 N · m