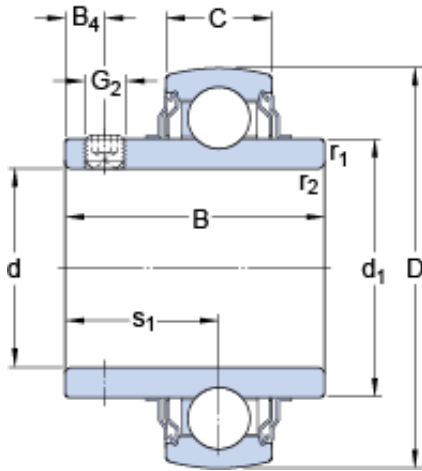




BEARINGS(UK)LTD.



40 mm x 80 mm x 49.2 mm skf YAR
208-2FW/VA228 Insert bearings with grub screws
for high temperature applications

Bearing No. YAR 208-2FW/VA228

Size	80x40x49.2 mm
Bore Diameter	80 mm
Outer Diameter	40 mm
Width	49,2 mm
d	40 mm
D	80 mm
B	49.2 mm
C	21 mm
d ₁	51.8 mm
B ₄	8 mm
s ₁	30.2 mm
r _{1,2} - min.	1 mm
Basic dynamic load rating - C	30.7 kN
Basic static load rating - C ₀	19 kN
Limiting speed	150 r/min
Limiting temperature - T	350 ° C
Mass bearing	0.55 kg
Grub (set) screw - G ₂	M8x1
Hexagonal key size for grub screw - H	4 mm
Category	Insert Bearings Spherical OD
Inventory	0.0
Manufacturer Name	SKF

YAR 208-2FW/VA228 Bearing 2D drawings and 3D CAD models



BEARINGS(UK)LTD.

Minimum Buy Quantity	N/A
Weight / Kilogram	0.55
EAN	7316571509938
Product Group	M06110
Inner Race Profile	Wide Inner Ring
Outer Race Profile	Spherical
Relubricatable	No
Seal Type	M Seal
Mounting Method	Set Screw
Rolling Element	Ball Bearing
Snap Ring	No
Long Description	40MM Bore; Wide Inner Ring; Ball Bearing; 49.2MM Length Thru Bore; 21MM Outer Race Width; 80MM Outside Diameter; Not Relubricatable; M Seal Seal; Set Screw Mounting Method; No Snap Ring
Inch - Metric	Metric
Other Features	Single Row Medium Duty Grub Screw Hi-Temp Bearing With Graphite Technology Has Flinger Metric
Category	Insert Bearings
UNSPSC	31171536
Harmonized Tariff Code	8482.10.50.00
Noun	Bearing
Keyword String	Insert
Manufacturer URL	http://www.skf.com
Manufacturer Item Number	YAR 208-2FW/VA228
Weight / LBS	1.21
Bore	1.575 Inch 40 Millimeter
Length Thru Bore	1.937 Inch 49.2 Millimeter
Outer Race Width	0.827 Inch 21 Millimeter



BEARINGS(UK)LTD.

Outside Diameter	3.15 Inch 80 Millimeter
bore diameter:	40 mm
radial dynamic load capacity:	21 kN
outside diameter:	3.1496 in
radial static load capacity:	19 kN
inner ring width:	49.2 mm
bearing material:	Stainless Steel
bore type:	Round
finish/coating:	Zinc Plated
locking device:	Set Screw
seal type:	Contact with Flinger
operating temperature range:	-40 to +210 ° F
series:	YAR2
d_1	51.8 mm
B_4	8 mm
s_1	30.2 mm
$r_{1,2}$ min.	1 mm
Basic dynamic load rating C	30.7 kN
Basic static load rating C_0	19 kN
Limiting temperature T max.	350 ° C
Grub (set) screw G_2	M8x1
Hexagonal key size for grub screw N	4 mm
Recommended tightening torque for grub screw	6.5 N · m