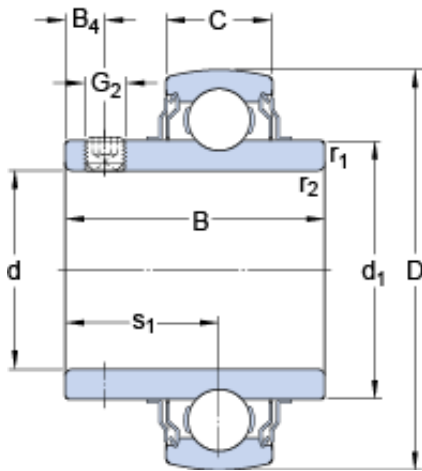




BEARINGS(UK)LTD.



30 mm x 62 mm x 38.1 mm skf YAR
206-2FW/VA201 Insert bearings with grub screws
for high temperature applications

Bearing No. YAR 206-2FW/VA201

Size	62x30x38.1 mm
Bore Diameter	62 mm
Outer Diameter	30 mm
Width	38,1 mm
d	30 mm
D	62 mm
B	38.1 mm
C	18 mm
d ₁	39.7 mm
B ₄	5 mm
s ₁	22.2 mm
r _{1,2} - min.	0.6 mm
Basic dynamic load rating - C	19.5 kN
Basic static load rating - C ₀	11.2 kN
Limiting speed	90 r/min
Limiting temperature - T	250 ° C
Mass bearing	0.28 kg
Grub (set) screw - G ₂	M6x0.75
Hexagonal key size for grub screw - H	3 mm
Category	Bearings
Inventory	0.0
Manufacturer Name	SKF

YAR 206-2FW/VA201 Bearing 2D drawings and 3D CAD models



BEARINGS(UK)LTD.

Minimum Buy Quantity	N/A
Weight / Kilogram	0.298
Product Group	M06110
d_1	39.7 mm
B_4	5 mm
s_1	22.2 mm
$r_{1,2}$ min.	0.6 mm
Basic dynamic load rating C	19.5 kN
Basic static load rating C_0	11.2 kN
Limiting temperature T max.	250 ° C
Grub (set) screw G_2	M6x0.75
Hexagonal key size for grub screw N	3 mm
Recommended tightening torque for grub screw	4 N · m