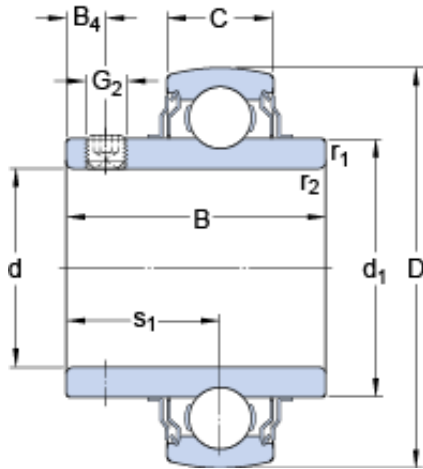




## BEARINGS(UK)LTD.



25 mm x 52 mm x 34.1 mm skf YAR  
205-2FW/VA201 Insert bearings with grub screws  
for high temperature applications

Bearing No. YAR 205-2FW/VA201

Size	52x25x34.1 mm
Bore Diameter	52 mm
Outer Diameter	25 mm
Width	34,1 mm
d	25 mm
D	52 mm
B	34.1 mm
C	15 mm
d <sub>1</sub>	33.74 mm
B <sub>4</sub>	5 mm
s <sub>1</sub>	19.8 mm
r <sub>1,2</sub> - min.	0.6 mm
Basic dynamic load rating - C	14 kN
Basic static load rating - C <sub>0</sub>	7.8 kN
Limiting speed	110 r/min
Limiting temperature - T	250 ° C
Mass bearing	0.17 kg
Grub (set) screw - G <sub>2</sub>	M6x0.75
Hexagonal key size for grub screw - H	3 mm
Category	Bearings
Inventory	0.0
Manufacturer Name	SKF

YAR 205-2FW/VA201 Bearing 2D drawings and 3D CAD models



## BEARINGS(UK)LTD.

Minimum Buy Quantity	N/A
Weight / Kilogram	0.19
Product Group	M06110
$d_1$	33.74 mm
$B_4$	5 mm
$s_1$	19.8 mm
$r_{1,2}$ min.	0.6 mm
Basic dynamic load rating C	14 kN
Basic static load rating $C_0$	7.8 kN
Limiting temperature T max.	250 ° C
Grub (set) screw $G_2$	M6x0.75
Hexagonal key size for grub screw N	3 mm
Recommended tightening torque for grub screw	4 N · m