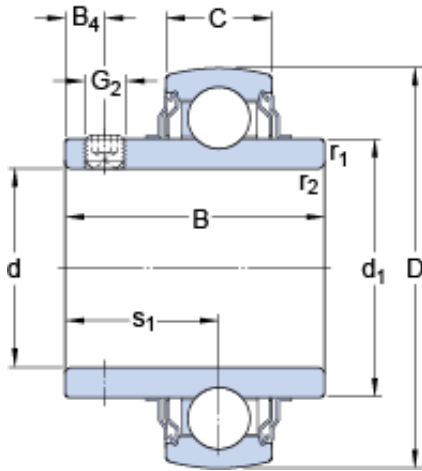




BEARINGS(UK)LTD.



36.512 mm x 72 mm x 42.9 mm skf YAR
207-107-2FW/VA228 Insert bearings with grub
screws for high temperature applications

Bearing No. YAR 207-107-2FW/VA228

Size	72x36.512x42.9 mm
Bore Diameter	72 mm
Outer Diameter	36,512 mm
Width	42,9 mm
d	36.512 mm
D	72 mm
B	42.9 mm
C	19 mm
d ₁	46.1 mm
B ₄	6 mm
s ₁	25.4 mm
r _{1,2} - min.	1 mm
Basic dynamic load rating - C	25.5 kN
Basic static load rating - C ₀	15.3 kN
Limiting speed	160 r/min
Limiting temperature - T	350 ° C
Mass bearing	0.42 kg
Grub (set) screw - G ₂ - 5/16-24 UNF	5/1624 UNF
Hexagonal key size for grub screw - H	3.969 mm
Category	Insert Bearings Spherical OD
Inventory	0.0

YAR 207-107-2FW/VA228 Bearing 2D drawings and 3D
CAD models



BEARINGS(UK)LTD.

Manufacturer Name	SKF
Minimum Buy Quantity	N/A
Weight / Kilogram	0.38
EAN	7316571862903
Product Group	M06110
Inner Race Profile	Wide Inner Ring
Outer Race Profile	Spherical
Relubricatable	No
Seal Type	M Seal
Mounting Method	Set Screw
Rolling Element	Ball Bearing
Snap Ring	No
Long Description	1-7/16" Bore; Wide Inner Ring; Ball Bearing; 1.689" Length Thru Bore; 0.748" Outer Race Width; 2.835" Outside Diameter; Not Relubricatable; M Seal Seal; Set Screw Mounting Method
Inch - Metric	Inch
Other Features	Single Row Medium Duty Hi-Temp Bearing With Graphite Technology Grub Screw Has Flinger
Category	Insert Bearings
UNSPSC	31171536
Harmonized Tariff Code	8482.10.50.00
Noun	Bearing
Keyword String	Insert
Manufacturer URL	http://www.skf.com
Manufacturer Item Number	YAR 207-107-2FW/VA228
Weight / LBS	0.838
Outside Diameter	2.835 Inch 72.009 Millimeter
Bore	1.438 Inch 36.525



BEARINGS(UK)LTD.

	Millimeter
Length Thru Bore	1.689 Inch 42.901 Millimeter
Outer Race Width	0.748 Inch 18.999 Millimeter
bore diameter:	1.4375 in
radial static load capacity:	15.3 kN
outside diameter:	72 mm
bearing material:	Stainless Steel
outer ring width:	19 mm
finish/coating:	Zinc Plated
inner ring width:	42.9 mm
maximum rpm:	160 RPM
bore type:	Round
seal type:	Contact with Flinger
locking device:	Set Screw
series:	YAR2
operating temperature range:	-240 to +660 ° F
d_1	46.1 mm
B_4	6 mm
s_1	25.4 mm
$r_{1,2}$ min.	1 mm
Basic dynamic load rating C	25.5 kN
Basic static load rating C_0	15.3 kN
Limiting temperature T max.	350 ° C
Grub (set) screw G_2	5/16-24 UNF
Hexagonal key size for grub screw N	3.969 mm
Recommended tightening torque for grub screw	6.5 N · m