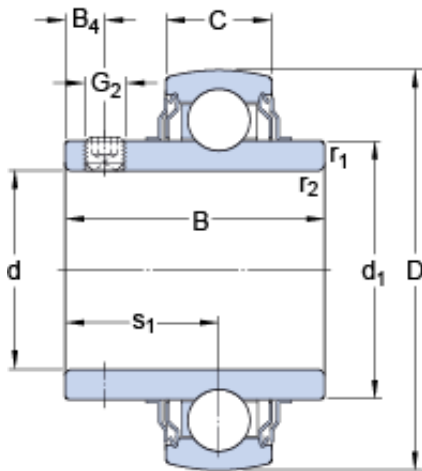




BEARINGS(UK)LTD.



38.1 mm x 80 mm x 49.2 mm skf YAR
208-108-2FW/VA228 Insert bearings with grub
screws for high temperature applications

Bearing No. YAR 208-108-2FW/VA228

YAR 208-108-2FW/VA228 Bearing 2D drawings and 3D
CAD models

Size	80x38.1x49.2 mm
Bore Diameter	80 mm
Outer Diameter	38,1 mm
Width	49,2 mm
d	38.1 mm
D	80 mm
B	49.2 mm
C	21 mm
d ₁	51.8 mm
B ₄	8 mm
s ₁	30.2 mm
r _{1,2} - min.	1 mm
Basic dynamic load rating - C	30.7 kN
Basic static load rating - C ₀	19 kN
Limiting speed	150 r/min
Limiting temperature - T	350 ° C
Mass bearing	0.59 kg
Grub (set) screw - G ₂ - 5/16-24 UNF	5/1624 UNF
Hexagonal key size for grub screw - H	3.969 mm
Category	Insert Bearings Spherical OD
Inventory	0.0



BEARINGS(UK)LTD.

Manufacturer Name	SKF
Minimum Buy Quantity	N/A
Weight / Kilogram	0.59
Product Group	M06110
Inner Race Profile	Wide Inner Ring
Outer Race Profile	Spherical
Relubricatable	No
Seal Type	M Seal
Mounting Method	Set Screw
Rolling Element	Ball Bearing
Snap Ring	No
Long Description	1-1/5" Bore; Wide Inner Ring; Ball Bearing; 1-15/16" Length Thru Bore; 0.827" Outer Race Width; 3.15" Outside Diameter; Not Relubricatable; M Seal Seal; Set Screw Mounting Method
Inch - Metric	Inch
Other Features	Single Row Medium Duty Hi-Temp Bearing With Graphite Technology Grub Screw Has Flinger
Category	Insert Bearings
UNSPSC	31171536
Harmonized Tariff Code	8482.10.50.00
Noun	Bearing
Keyword String	Insert
Manufacturer URL	http://www.skf.com
Manufacturer Item Number	YAR 208-108-2FW/VA228
Weight / LBS	1.3
Outside Diameter	3.15 Inch 80.01 Millimeter
Length Thru Bore	1.937 Inch 49.2 Millimeter
Bore	1.5 Inch 38.1 Millimeter



BEARINGS(UK)LTD.

Outer Race Width	0.827 Inch 21.006 Millimeter
bore diameter:	1.5000 in
radial static load capacity:	19 kN
outside diameter:	3.1496 in
bearing material:	Stainless Steel
outer ring width:	21 mm
finish/coating:	Zinc Plated
inner ring width:	49.2 mm
maximum rpm:	150 RPM
bore type:	Round
seal type:	Contact with Flinger
locking device:	Set Screw
series:	YAR2
operating temperature range:	-240 to +660 ° F
d_1	51.8 mm
B_4	8 mm
s_1	30.2 mm
$r_{1,2}$ min.	1 mm
Basic dynamic load rating C	30.7 kN
Basic static load rating C_0	19 kN
Limiting temperature T max.	350 ° C
Grub (set) screw G_2	5/16-24 UNF
Hexagonal key size for grub screw N	3.969 mm
Recommended tightening torque for grub screw	6.5 N · m