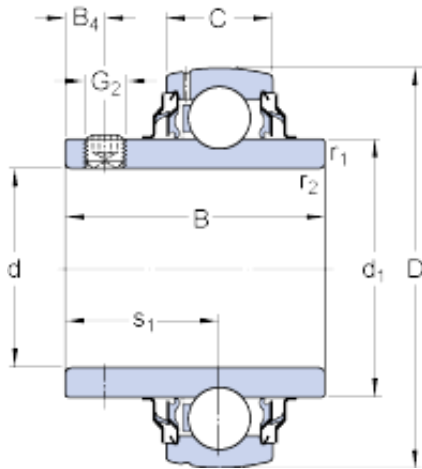




## BEARINGS(UK)LTD.



YAR 206-103-2RFGR/HV Bearing 2D drawings and 3D CAD models

30.163 mm x 62 mm x 38.1 mm skf YAR  
206-103-2RFGR/HV Insert bearings (Y-bearings)

Bearing No. YAR 206-103-2RFGR/HV

d	30.163 mm
D	62 mm
B	38.1 mm
C	18 mm
$d_1$	39.7 mm
$B_4$	5 mm
$r_{1,2}$ min.	0.6 mm
$s_1$	22.2 mm
Basic dynamic load rating C	16.3 kN
Basic static load rating $C_0$	11.2 kN
Fatigue load limit $P_u$	0.475 kN
Limiting speed <sup>1)</sup>	3800 r/min
Calculation factor $f_0$	14
Mass complete bearing	0.3 kg
Thread grub screw $G_2$	1/4-28 UNF
Hexagonal key size for grub screw N	3.175 mm
Recommended tightening torque for grub screw	4 N · m
Rubber seating ring	RIS 206 A