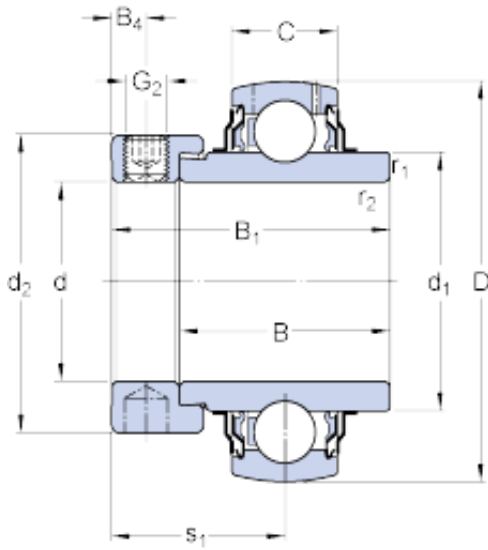




# BEARINGS(UK)LTD.



35 mm x 72 mm x 37.6 mm skf YEL 207-2F  
Insert bearings (Y-bearings)

Bearing No. YEL 207-2F

YEL 207-2F Bearing 2D drawings and 3D CAD models

Size	72x35x51.1 mm
Bore Diameter	72 mm
Outer Diameter	35 mm
Width	51,1 mm
d	35 mm
D	72 mm
B <sub>1</sub>	51.1 mm
C	19 mm
d <sub>1</sub>	46.1 mm
d <sub>2</sub>	51.1 mm
B	37.6 mm
B <sub>4</sub>	6.75 mm
r <sub>1,2</sub> - min.	1 mm
s <sub>1</sub>	32.3 mm
Basic dynamic load rating - C	25.5 kN
Basic static load rating - C <sub>0</sub>	15.3 kN
Fatigue load limit - P <sub>u</sub>	0.655 kN
Limiting speed with shaft tolerance h6	5300 r/min
Calculation factor - f <sub>0</sub>	14
Mass bearing	0.55 kg
Thread - G <sub>2</sub>	M10x1
Hexagonal key size for grub screw - H	5 mm



## BEARINGS(UK)LTD.

Category	Insert Bearings Spherical OD
Inventory	0.0
Manufacturer Name	SKF
Minimum Buy Quantity	N/A
Weight / Kilogram	0.552
EAN	7316570688726
Product Group	M06110
Inner Race Profile	Wide Inner Ring
Outer Race Profile	Spherical
Relubricatable	Yes
Seal Type	M Seal
Mounting Method	Eccentric Collar
Rolling Element	Ball Bearing
Snap Ring	No
Long Description	35MM Bore; Wide Inner Ring; Ball Bearing; 51.1MM Length Thru Bore; 19MM Outer Race Width; 72MM Outside Diameter; Relubricatable; M Seal Seal; Eccentric Collar Mounting Method; No Snap Ring
Inch - Metric	Metric
Other Features	Single Row   Standard Duty   With Set Screw   Has Flinger   Metric
Category	Insert Bearings
UNSPSC	31171536
Harmonized Tariff Code	8482.10.50.00
Noun	Bearing
Keyword String	Insert
Manufacturer URL	<a href="http://www.skf.com">http://www.skf.com</a>
Manufacturer Item Number	YEL 207-2F
Weight / LBS	1.21



## BEARINGS(UK)LTD.

Bore	1.378 Inch   35 Millimeter
Length Thru Bore	2.012 Inch   51.1 Millimeter
Outside Diameter	2.835 Inch   72 Millimeter
Outer Race Width	0.748 Inch   19 Millimeter
bore diameter:	35 mm
radial dynamic load capacity:	25.5 kN
outside diameter:	72 mm
radial static load capacity:	15.3 kN
outer ring width:	19 mm
bearing material:	Stainless Steel
inner ring width:	51.1 mm
finish/coating:	Black Oxide
bore type:	Round
seal type:	Contact with Flinger
locking device:	Eccentric Collar
series:	YEL2
operating temperature range:	-40 to +210 ° F
$B_1$	51.1 mm
$d_1$	46.1 mm
$d_2$	51.1 mm
$B_4$	6.75 mm
$r_{1,2}$ min.	1 mm
$s_1$	32.3 mm
Basic dynamic load rating C	25.5 kN
Basic static load rating $C_0$	15.3 kN
Fatigue load limit $P_u$	0.655 kN
Limiting speed <sup>1)</sup>	5300 r/min
Calculation factor $f_0$	14
Mass complete bearing	0.54 kg
Thread grub screw $G_2$	M10x1
Hexagonal key size for grub	5 mm



## BEARINGS(UK)LTD.

screw N	
Recommended tightening torque for grub screw	16.5 N · m