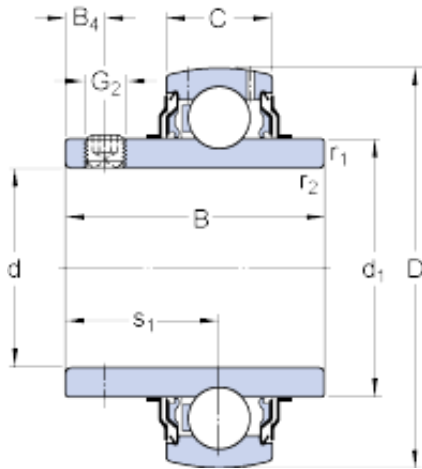




## BEARINGS(UK)LTD.



55.562 mm x 110 mm x 65.1 mm skf YAR  
212-203-2F Insert bearings (Y-bearings)

Bearing No. YAR 212-203-2F

Size	110x55.562x65.1 mm
Bore Diameter	110 mm
Outer Diameter	55,562 mm
Width	65,1 mm
d	55.562 mm
D	110 mm
B	65.1 mm
C	26 mm
d <sub>1</sub>	75.64 mm
B <sub>4</sub>	10 mm
r <sub>1,2</sub> - min.	1.5 mm
s <sub>1</sub>	39.7 mm
Basic dynamic load rating - C	52.7 kN
Basic static load rating - C <sub>0</sub>	36 kN
Fatigue load limit - P <sub>u</sub>	1.5 kN
Limiting speed with shaft tolerance h6	3400 r/min
Calculation factor - f <sub>0</sub>	14
Mass bearing	1.7 kg
Thread - G <sub>2</sub> - 3/8-24 UNF	3/824 UNF
Hexagonal key size for grub screw - H	4.762 mm
Category	Insert Bearings Spherical OD
Inventory	0.0

YAR 212-203-2F Bearing 2D drawings and 3D CAD models



## BEARINGS(UK)LTD.

Manufacturer Name	SKF
Minimum Buy Quantity	N/A
Weight / Kilogram	1.75
EAN	7316571261430
Product Group	M06110
Inner Race Profile	Wide Inner Ring
Outer Race Profile	Spherical
Relubricatable	Yes
Seal Type	M Seal
Mounting Method	Set Screw
Rolling Element	Ball Bearing
Snap Ring	No
Long Description	2-3/16" Bore; Wide Inner Ring; Ball Bearing; 2-9/16" Length Thru Bore; 1.024" Outer Race Width; 4.331" Outside Diameter; Relubricatable; M Seal Seal; Set Screw Mounting Method
Inch - Metric	Inch
Other Features	Single Row   Medium Duty   Grub Screw   Has Flinger
Category	Insert Bearings
UNSPSC	31171536
Harmonized Tariff Code	8482.10.50.00
Noun	Bearing
Keyword String	Insert
Manufacturer URL	<a href="http://www.skf.com">http://www.skf.com</a>
Manufacturer Item Number	YAR 212-203-2F
Weight / LBS	3.86
Bore	2.188 Inch   55.575 Millimeter
Outside Diameter	4.331 Inch   110.007 Millimeter



## BEARINGS(UK)LTD.

Outer Race Width	1.024 Inch   26.01 Millimeter
Length Thru Bore	2.563 Inch   65.1 Millimeter
$d_1$	75.64 mm
$B_4$	10 mm
$r_{1,2}$ min.	1.5 mm
$s_1$	39.7 mm
Basic dynamic load rating C	52.7 kN
Basic static load rating $C_0$	36 kN
Fatigue load limit $P_u$	1.53 kN
Limiting speed <sup>1)</sup>	3400 r/min
Calculation factor $f_0$	14
Mass complete bearing	1.6 kg
Thread grub screw $G_2$	3/8-24 UNF
Hexagonal key size for grub screw N	4.763 mm
Recommended tightening torque for grub screw	16.5 N · m