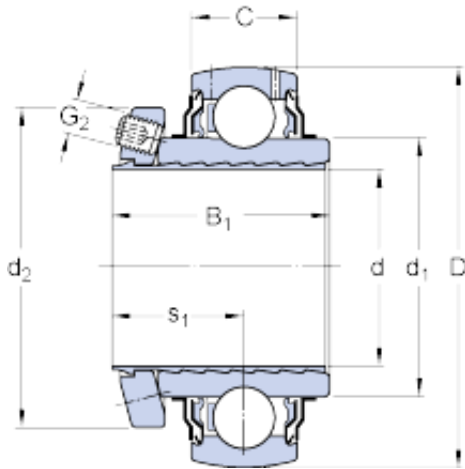




# BEARINGS(UK)LTD.

## skf YSP 209-111 SB-2F Insert bearings (Y-bearings)

Bearing No. YSP 209-111 SB-2F



YSP 209-111 SB-2F Bearing 2D drawings and 3D CAD models

Size	85x42.862x44 mm
Bore Diameter	85 mm
Outer Diameter	42,862 mm
Width	44 mm
d	42.862 mm
D	85 mm
B <sub>1</sub>	44 mm
C	22 mm
d <sub>1</sub>	56.8 mm
d <sub>2</sub>	67 mm
s <sub>1</sub>	26.5 mm
Basic dynamic load rating - C	33.2 kN
Basic static load rating - C <sub>0</sub>	21.6 kN
Fatigue load limit - P <sub>u</sub>	0.915 kN
Limiting speed	4300 r/min
Calculation factor - f <sub>0</sub>	14
Mass bearing	0.7 kg
Thread - G <sub>2</sub>	M6
Hexagonal key size for grub screw - H	3 mm
B <sub>1</sub>	44.2 mm
d <sub>1</sub>	56.8 mm
d <sub>2</sub>	67 mm
s <sub>1</sub>	26.7 mm



## BEARINGS(UK)LTD.

Basic dynamic load rating C	33.2 kN
Basic static load rating $C_0$	21.6 kN
Fatigue load limit $P_u$	0.915 kN
Limiting speed <sup>1)</sup>	4300 r/min
Calculation factor $f_0$	14
Mass complete bearing	0.7 kg
Thread grub screw $G_2$	M6
Hexagonal key size for grub screw N	3.05 mm
Recommended tightening torque for grub screw	7.4 N · m