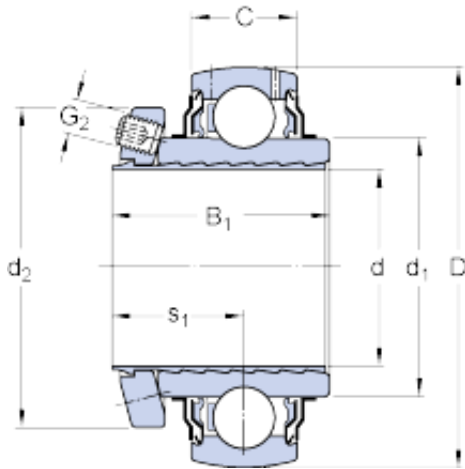




BEARINGS(UK)LTD.



YSP 210 SB-2F Bearing 2D drawings and 3D CAD models

skf YSP 210 SB-2F Insert bearings (Y-bearings)

Bearing No. YSP 210 SB-2F

Size	90x50x46 mm
Bore Diameter	90 mm
Outer Diameter	50 mm
Width	46 mm
d	50 mm
D	90 mm
B ₁	46 mm
C	22 mm
d ₁	62.51 mm
d ₂	72 mm
s ₁	27.5 mm
Basic dynamic load rating - C	35.1 kN
Basic static load rating - C ₀	23.2 kN
Fatigue load limit - P _u	0.98 kN
Limiting speed	4000 r/min
Calculation factor - f ₀	14
Mass bearing	0.75 kg
Thread - G ₂	M6
Hexagonal key size for grub screw - H	3 mm
Category	Bearings
Inventory	0.0
Manufacturer Name	SKF
Minimum Buy Quantity	N/A
Weight / Kilogram	0



BEARINGS(UK)LTD.

Product Group	M06110
B_1	46.2 mm
d_1	62.51 mm
d_2	72 mm
s_1	27.7 mm
Basic dynamic load rating C	35.1 kN
Basic static load rating C_0	23.2 kN
Fatigue load limit P_u	0.98 kN
Limiting speed ¹⁾	4000 r/min
Calculation factor f_0	14
Mass complete bearing	0.74 kg
Thread grub screw G_2	M6
Hexagonal key size for grub screw N	3.05 mm
Recommended tightening torque for grub screw	7.4 N · m