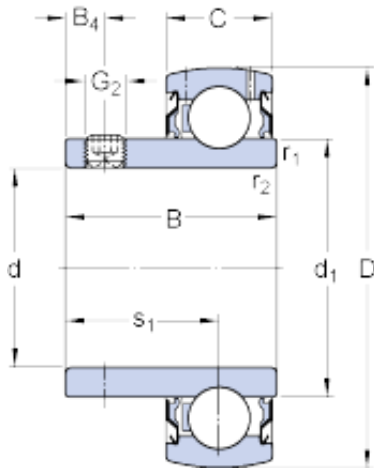




BEARINGS(UK)LTD.



61.913 mm x 110 mm x 48.5 mm skf YAT
212-207 Insert bearings (Y-bearings)

Bearing No. YAT 212-207

YAT 212-207 Bearing 2D drawings and 3D CAD models

Size	110x61.913x48.5 mm
Bore Diameter	110 mm
Outer Diameter	61,913 mm
Width	48,5 mm
d	61.913 mm
D	110 mm
B	48.5 mm
C	26 mm
d ₁	75.64 mm
B ₄	9 mm
r _{1,2} - min.	1.5 mm
s ₁	35 mm
Basic dynamic load rating - C	52.7 kN
Basic static load rating - C ₀	36 kN
Fatigue load limit - P _u	1.5 kN
Limiting speed with shaft tolerance h6	3400 r/min
Calculation factor - f ₀	14
Mass bearing	1.25 kg
Thread - G ₂ - 3/8-24 UNF	3/824 UNF
Hexagonal key size for grub screw - H	4.762 mm
d ₁	75.64 mm
B ₄	9 mm



BEARINGS(UK)LTD.

$r_{1,2}$ min.	1.5 mm
s_1	35 mm
Basic dynamic load rating C	52.7 kN
Basic static load rating C_0	36 kN
Fatigue load limit P_u	1.53 kN
Limiting speed ¹⁾	3400 r/min
Calculation factor f_0	14
Mass complete bearing	1.1 kg
Thread grub screw G_2	3/8-24 UNF
Hexagonal key size for grub screw N	4.763 mm
Recommended tightening torque for grub screw	16.5 N · m