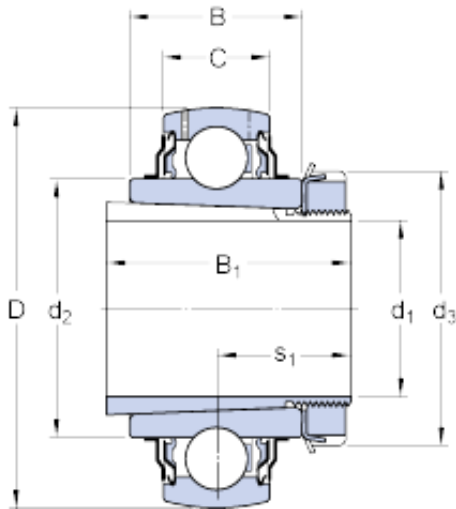




BEARINGS(UK)LTD.

20 mm x 52 mm x 24 mm skf YSA 205-2FK + H 2305 Insert bearings (Y-bearings)



Bearing No. YSA 205-2FK + H 2305

| | |
|----------------------------------|-------------|
| Size | 52x20x35 mm |
| Bore Diameter | 52 mm |
| Outer Diameter | 20 mm |
| Width | 35 mm |
| d_1 | 20 mm |
| D | 52 mm |
| B_1 | 35 mm |
| B | 24 mm |
| C | 15 mm |
| d_2 | 33.74 mm |
| d_3 | 38 mm |
| s_1 - ? | 20.5 mm |
| Basic dynamic load rating - C | 14 kN |
| Basic static load rating - C_0 | 7.8 kN |
| Fatigue load limit - P_u | 0.335 kN |
| Limiting speed | 7000 r/min |
| Calculation factor - f_0 | 14 |
| d | 20 mm |
| B_1 | 35 mm |
| d_1 | 33.74 mm |
| d_3 | 38 mm |
| s_1 | 20.5 mm |
| Basic dynamic load rating C | 14 kN |
| Basic static load rating C_0 | 7.8 kN |

YSA 205-2FK + H 2305 Bearing 2D drawings and 3D CAD models



BEARINGS(UK)LTD.

| | |
|---------------------------------------|------------|
| Fatigue load limit P_u | 0.335 kN |
| Limiting speed ¹⁾ | 7000 r/min |
| Calculation factor f_0 | 14 |
| Mass bearing + adapter sleeve | 0.25 kg |
| Associated spanner | HN 5-6 |
| Recommended lock nut tightening angle | 90 ° |
| Rubber seating ring | RIS 205 |