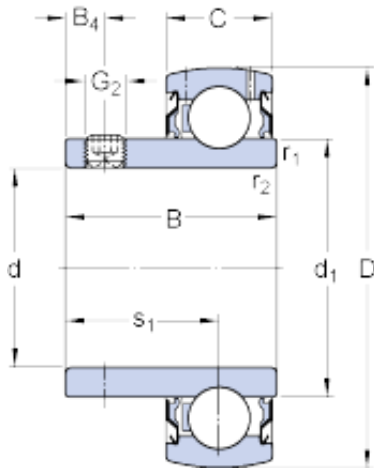




BEARINGS(UK)LTD.



36.513 mm x 72 mm x 33 mm skf YAT 207-107
Insert bearings (Y-bearings)

Bearing No. YAT 207-107

Size	72x36.513x33 mm
Bore Diameter	72 mm
Outer Diameter	36,513 mm
Width	33 mm
d	36.513 mm
D	72 mm
B	33 mm
C	19 mm
d ₁	46.1 mm
B ₄	6 mm
r _{1,2} - min.	1 mm
s ₁	23.3 mm
Basic dynamic load rating - C	25.5 kN
Basic static load rating - C ₀	15.3 kN
Fatigue load limit - P _u	0.655 kN
Limiting speed with shaft tolerance h6	5300 r/min
Calculation factor - f ₀	14
Mass bearing	0.38 kg
Thread - G ₂ - 5/16-24 UNF	5/1624 UNF
Hexagonal key size for grub screw - H	3.969 mm
Category	Insert Bearings Spherical OD
Inventory	0.0

YAT 207-107 Bearing 2D drawings and 3D CAD models



BEARINGS(UK)LTD.

Manufacturer Name	SKF
Minimum Buy Quantity	N/A
Weight / Kilogram	0.375
EAN	7316571504421
Product Group	M06110
Inner Race Profile	Narrow Inner Ring
Outer Race Profile	Spherical
Relubricatable	Yes
Seal Type	M Seal
Mounting Method	Set Screw
Rolling Element	Ball Bearing
Snap Ring	No
Long Description	1-7/16" Bore; Narrow Inner Ring; Ball Bearing; 1.378" Length Thru Bore; 0.748" Outer Race Width; 2.835" Outside Diameter; Relubricatable; M Seal Seal; Set Screw Mounting Method
Inch - Metric	Inch
Other Features	Single Row Standard Duty Grub Screw
Category	Insert Bearings
UNSPSC	31171536
Harmonized Tariff Code	8482.10.50.00
Noun	Bearing
Keyword String	Insert
Manufacturer URL	http://www.skf.com
Manufacturer Item Number	YAT 207-107
Weight / LBS	0.617
Outer Race Width	0.748 Inch 18.999 Millimeter
Length Thru Bore	1.378 Inch 35.001 Millimeter



BEARINGS(UK)LTD.

Bore	1.438 Inch 36.525 Millimeter
Outside Diameter	2.835 Inch 72.009 Millimeter
bore diameter:	1.4375 in
locking device:	Set Screw
outside diameter:	72 mm
radial dynamic load capacity:	25.5 kN
outer ring width:	19 mm
radial static load capacity:	15.3 kN
inner ring width:	35 mm
finish/coating:	Uncoated
bore type:	Round
maximum rpm:	5300 RPM
d_1	46.1 mm
B_4	6 mm
$r_{1,2}$ min.	1 mm
s_1	23.3 mm
Basic dynamic load rating C	25.5 kN
Basic static load rating C_0	15.3 kN
Fatigue load limit P_u	0.655 kN
Limiting speed ¹⁾	5300 r/min
Calculation factor f_0	14
Mass complete bearing	0.36 kg
Thread grub screw G_2	5/16-24 UNF
Hexagonal key size for grub screw N	3.969 mm
Recommended tightening torque for grub screw	6.5 N · m