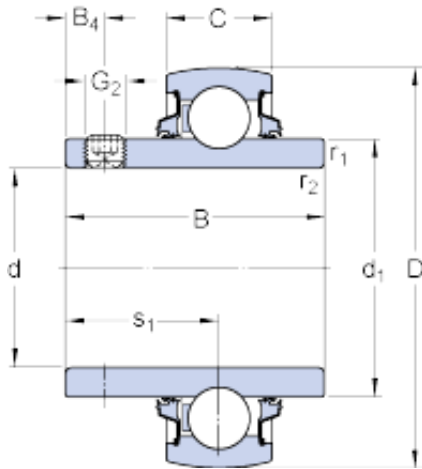




BEARINGS(UK)LTD.



31.75 mm x 62 mm x 38.1 mm skf YARAG 206-104 Insert bearings (Y-bearings)

Bearing No. YARAG 206-104

Size	62x31.75x38.1 mm
Bore Diameter	62 mm
Outer Diameter	31,75 mm
Width	38,1 mm
d	31.75 mm
D	62 mm
B	38.1 mm
C	18 mm
d_1	39.7 mm
B_4	5 mm
$r_{1,2}$ - min.	0.6 mm
s_1	22.2 mm
Basic dynamic load rating - C	19.5 kN
Basic static load rating - C_0	11.2 kN
Fatigue load limit - P_u	0.475 kN
Limiting speed with shaft tolerance h6	1200 r/min
Calculation factor - f_0	14
Mass bearing	0.27 kg
Thread - G_2 - 1/4-28 UNF	1/428 UNF
Hexagonal key size for grub screw - H	3.175 mm
d_1	39.7 mm
B_4	5 mm

YARAG 206-104 Bearing 2D drawings and 3D CAD models



BEARINGS(UK)LTD.

$r_{1,2}$ min.	0.6 mm
s_1	22.2 mm
Basic dynamic load rating C	19.5 kN
Basic static load rating C_0	11.2 kN
Fatigue load limit P_u	0.475 kN
Limiting speed ¹⁾	1200 r/min
Calculation factor f_0	14
Mass complete bearing	0.27 kg
Thread grub screw G_2	1/4-28 UNF
Hexagonal key size for grub screw N	3.175 mm
Recommended tightening torque for grub screw	4 N · m
Rubber seating ring	RIS 206 A