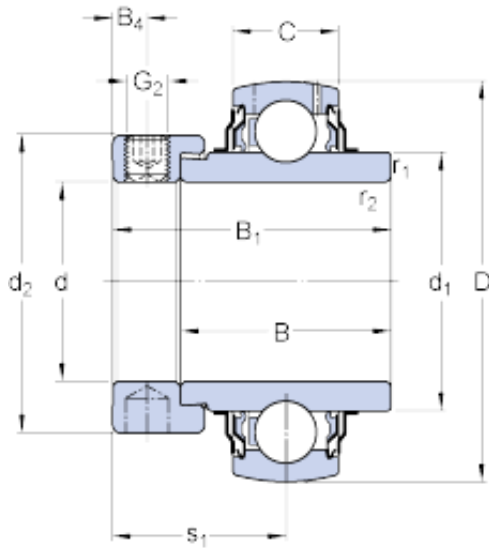




BEARINGS(UK)LTD.



42.863 mm x 85 mm x 42.8 mm skf YEL
209-111-2F Insert bearings (Y-bearings)

Bearing No. YEL 209-111-2F

| | |
|---|-------------------|
| Size | 85x42.863x56.3 mm |
| Bore Diameter | 85 mm |
| Outer Diameter | 42,863 mm |
| Width | 56,3 mm |
| d | 42.863 mm |
| D | 85 mm |
| B ₁ | 56.3 mm |
| C | 22 mm |
| d ₁ | 56.8 mm |
| d ₂ | 62 mm |
| B | 42.8 mm |
| B ₄ | 6.75 mm |
| r _{1,2} - min. | 1 mm |
| s ₁ | 34.9 mm |
| Basic dynamic load rating - C | 33.2 kN |
| Basic static load rating - C ₀ | 21.6 kN |
| Fatigue load limit - P _u | 0.915 kN |
| Limiting speed with shaft tolerance h6 | 4300 r/min |
| Calculation factor - f ₀ | 14 |
| Mass bearing | 0.88 kg |
| Thread - G ₂ - 3/8-24 UNF | 3/824 UNF |
| Hexagonal key size for grub screw - H | 4.762 mm |
| | |

YEL 209-111-2F Bearing 2D drawings and 3D CAD models



BEARINGS(UK)LTD.

| Category | Mounted Units & Inserts |
|--|-------------------------|
| Inventory | 0.0 |
| Manufacturer Name | SKF |
| Minimum Buy Quantity | N/A |
| UNSPSC | 23153417 |
| Weight / Kilogram | 0.842 |
| EAN | 7316577754745 |
| Product Group | M06110 |
| B ₁ | 56.3 mm |
| d ₁ | 56.8 mm |
| d ₂ | 62 mm |
| B ₄ | 6.75 mm |
| r _{1,2} min. | 1 mm |
| s ₁ | 34.9 mm |
| Basic dynamic load rating C | 33.2 kN |
| Basic static load rating C ₀ | 21.6 kN |
| Fatigue load limit P _u | 0.915 kN |
| Limiting speed ¹⁾ | 4300 r/min |
| Calculation factor f ₀ | 14 |
| Mass complete bearing | 0.86 kg |
| Thread grub screw G ₂ | 3/8-24 UNF |
| Hexagonal key size for grub screw N | 4.763 mm |
| Recommended tightening torque for grub screw | 16.5 N · m |