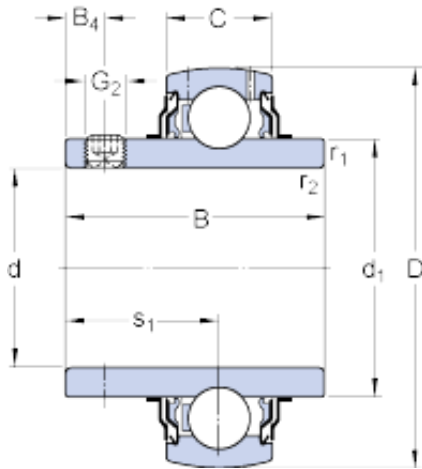




BEARINGS(UK)LTD.



38.1 mm x 85 mm x 49.2 mm skf YAR
209-108-2F Insert bearings (Y-bearings)

Bearing No. YAR 209-108-2F

YAR 209-108-2F Bearing 2D drawings and 3D CAD models

Size	85x38.1x49.2 mm
Bore Diameter	85 mm
Outer Diameter	38,1 mm
Width	49,2 mm
d	38.1 mm
D	85 mm
B	49.2 mm
C	22 mm
d ₁	56.8 mm
B ₄	8 mm
r _{1,2} - min.	1 mm
s ₁	30.2 mm
Basic dynamic load rating - C	33.2 kN
Basic static load rating - C ₀	21.6 kN
Fatigue load limit - P _u	0.915 kN
Limiting speed with shaft tolerance h6	4300 r/min
Calculation factor - f ₀	14
Mass bearing	0.86 kg
Thread - G ₂ - 5/16-24 UNF	5/1624 UNF
Hexagonal key size for grub screw - H	3.969 mm
Category	Insert Bearings Spherical OD
Inventory	0.0



BEARINGS(UK)LTD.

Manufacturer Name	SKF
Minimum Buy Quantity	N/A
Weight / Kilogram	0.77
Product Group	M06110
Inner Race Profile	Wide Inner Ring
Outer Race Profile	Spherical
Relubricatable	Yes
Seal Type	M Seal
Mounting Method	Set Screw
Rolling Element	Ball Bearing
Snap Ring	No
Long Description	1-1/5" Bore; Wide Inner Ring; Ball Bearing; 1-15/16" Length Thru Bore; 0.827" Outer Race Width; 3.347" Outside Diameter; Relubricatable; M Seal Seal; Set Screw Mounting Method
Inch - Metric	Inch
Other Features	Single Row Medium Duty Grub Screw Has Flinger
Category	Insert Bearings
UNSPSC	31171536
Harmonized Tariff Code	8482.10.50.00
Noun	Bearing
Keyword String	Insert
Manufacturer URL	http://www.skf.com
Manufacturer Item Number	YAR 209-108-2F
Weight / LBS	1.7
Bore	1.5 Inch 38.1 Millimeter
Outside Diameter	3.347 Inch 85.014 Millimeter
Length Thru Bore	1.937 Inch 49.2 Millimeter
Outer Race Width	0.827 Inch 21.006



BEARINGS(UK)LTD.

	Millimeter
d_1	56.8 mm
B_4	8 mm
$r_{1,2}$ min.	1 mm
s_1	30.2 mm
Basic dynamic load rating C	33.2 kN
Basic static load rating C_0	21.6 kN
Fatigue load limit P_u	0.915 kN
Limiting speed ¹⁾	4300 r/min
Calculation factor f_0	14
Mass complete bearing	0.84 kg
Thread grub screw G_2	5/16-24 UNF
Hexagonal key size for grub screw N	3.969 mm
Recommended tightening torque for grub screw	6.5 N · m