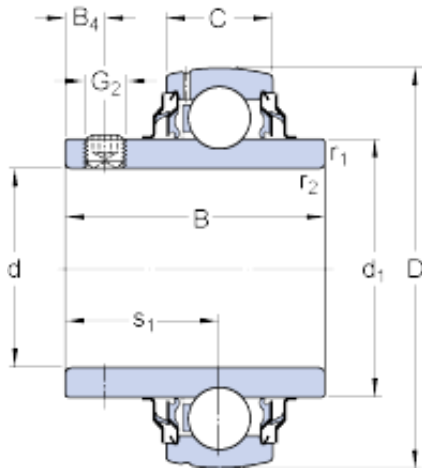




## BEARINGS(UK)LTD.



31.75 mm x 62 mm x 38.1 mm skf YAR  
206-104-2RFGR/HV Insert bearings (Y-bearings)

Bearing No. YAR 206-104-2RFGR/HV

d	31.75 mm
D	62 mm
B	38.1 mm
C	18 mm
d <sub>1</sub>	39.7 mm
B <sub>4</sub>	5 mm
r <sub>1,2</sub> min.	0.6 mm
s <sub>1</sub>	22.2 mm
Basic dynamic load rating C	16.3 kN
Basic static load rating C <sub>0</sub>	11.2 kN
Fatigue load limit P <sub>u</sub>	0.475 kN
Limiting speed <sup>1)</sup>	3800 r/min
Calculation factor f <sub>0</sub>	14
Mass complete bearing	0.28 kg
Thread grub screw G <sub>2</sub>	1/4-28 UNF
Hexagonal key size for grub screw N	3.175 mm
Recommended tightening torque for grub screw	4 N · m
Rubber seating ring	RIS 206 A

YAR 206-104-2RFGR/HV Bearing 2D drawings and 3D CAD models