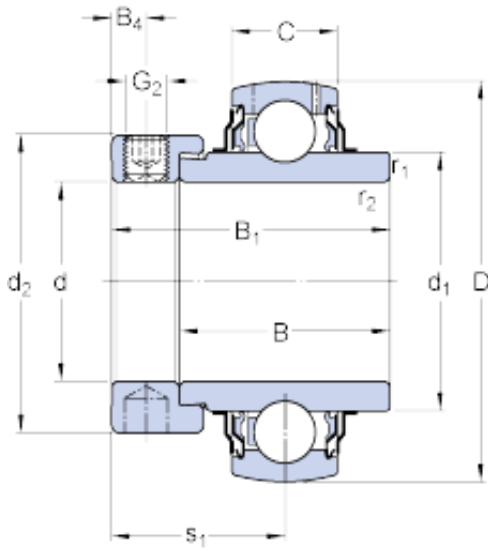




BEARINGS(UK)LTD.



YEL 204-2F Bearing 2D drawings and 3D CAD models

20 mm x 47 mm x 34.2 mm skf YEL 204-2F
Insert bearings (Y-bearings)

Bearing No. YEL 204-2F

Size	47x20x43.7 mm
Bore Diameter	47 mm
Outer Diameter	20 mm
Width	43,7 mm
d	20 mm
D	47 mm
B ₁	43.7 mm
C	14 mm
d ₁	28.2 mm
d ₂	32.4 mm
B	34.2 mm
B ₄	4.75 mm
r _{1,2} - min.	0.6 mm
s ₁	26.6 mm
Basic dynamic load rating - C	12.7 kN
Basic static load rating - C ₀	6.6 kN
Fatigue load limit - P _u	0.28 kN
Limiting speed with shaft tolerance h6	8500 r/min
Calculation factor - f ₀	13
Mass bearing	0.19 kg
Thread - G ₂	M6x0.75
Hexagonal key size for grub screw - H	3 mm



BEARINGS(UK)LTD.

Category	Bearings
Inventory	0.0
Manufacturer Name	SKF
Minimum Buy Quantity	N/A
UNSPSC	31171563
Weight / Kilogram	0.198
EAN	7316571136707
Product Group	M06110
B ₁	43.7 mm
d ₁	28.2 mm
d ₂	32.4 mm
B ₄	4.75 mm
r _{1,2} min.	0.6 mm
s ₁	26.6 mm
Basic dynamic load rating C	12.7 kN
Basic static load rating C ₀	6.55 kN
Fatigue load limit P _u	0.28 kN
Limiting speed ¹⁾	8500 r/min
Calculation factor f ₀	13
Mass complete bearing	0.2 kg
Thread grub screw G ₂	M6x0.75
Hexagonal key size for grub screw N	3 mm
Recommended tightening torque for grub screw	4 N · m
Rubber seating ring	RIS 204