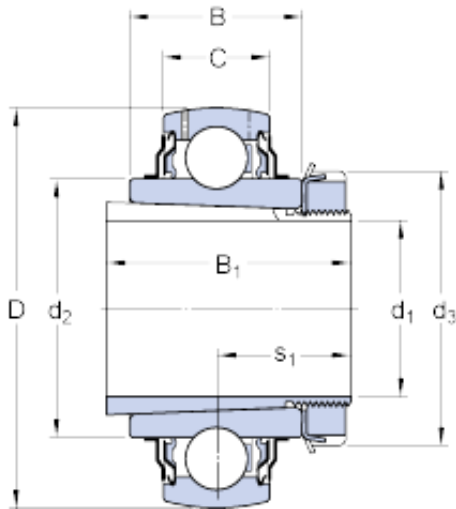




BEARINGS(UK)LTD.

25.4 mm x 62 mm x 28 mm skf YSA 206-2FK + HE 2306 Insert bearings (Y-bearings)



Bearing No. YSA 206-2FK + HE 2306

Size	62x25.4x38 mm
Bore Diameter	62 mm
Outer Diameter	25,4 mm
Width	38 mm
d_1	25.4 mm
D	62 mm
B_1	38 mm
B	28 mm
C	18 mm
d_2	39.7 mm
d_3	45 mm
s_1 - ?	22.5 mm
Basic dynamic load rating - C	19.5 kN
Basic static load rating - C_0	11.2 kN
Fatigue load limit - P_u	0.475 kN
Limiting speed	6300 r/min
Calculation factor - f_0	14
d	25.4 mm
B_1	38 mm
d_1	39.7 mm
d_3	45 mm
s_1	22.5 mm
Basic dynamic load rating C	19.5 kN
Basic static load rating C_0	11.2 kN

YSA 206-2FK + HE 2306 Bearing 2D drawings and 3D CAD models



BEARINGS(UK)LTD.

Fatigue load limit P_u	0.475 kN
Limiting speed ¹⁾	6300 r/min
Calculation factor f_0	14
Mass bearing + adapter sleeve	0.37 kg
Associated spanner	HN 5-6
Recommended lock nut tightening angle	95 °