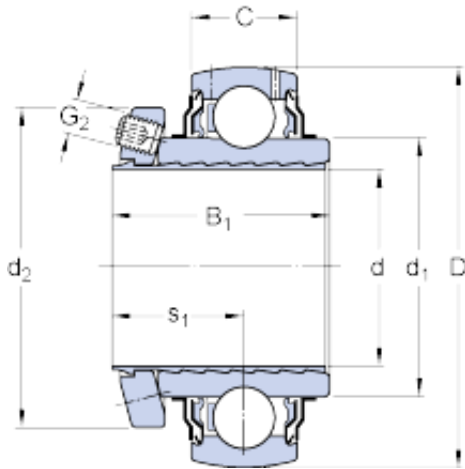




BEARINGS(UK)LTD.



YSP 205-100 SB-2F Bearing 2D drawings and 3D CAD models

skf YSP 205-100 SB-2F Insert bearings (Y-bearings)

Bearing No. YSP 205-100 SB-2F

| | |
|----------------------------------------------|---------------|
| Size | 52x25.4x33 mm |
| Bore Diameter | 52 mm |
| Outer Diameter | 25,4 mm |
| Width | 33 mm |
| d | 25.4 mm |
| D | 52 mm |
| B ₁ | 33 mm |
| C | 15 mm |
| d ₁ | 33.74 mm |
| d ₂ | 41.7 mm |
| s ₁ | 21 mm |
| Basic dynamic load rating - C | 14 kN |
| Basic static load rating - C ₀ | 7.8 kN |
| Fatigue load limit - P _u | 0.335 kN |
| Limiting speed | 7000 r/min |
| Calculation factor - f ₀ | 14 |
| Mass bearing | 0.18 kg |
| Thread - G ₂ | M5 |
| Hexagonal key size for grub screw - H | 2.5 mm |
| Recommended tightening torque for grub screw | 4.2 N · m |
| B ₁ | 33.2 mm |
| d ₁ | 33.74 mm |
| | |



BEARINGS(UK)LTD.

| | |
|-------------------------------------|------------|
| d_2 | 41.7 mm |
| s_1 | 21.2 mm |
| Basic dynamic load rating C | 14 kN |
| Basic static load rating C_0 | 7.8 kN |
| Fatigue load limit P_u | 0.335 kN |
| Limiting speed ¹⁾ | 7000 r/min |
| Calculation factor f_0 | 14 |
| Mass complete bearing | 0.18 kg |
| Thread grub screw G_2 | M5 |
| Hexagonal key size for grub screw N | 2.54 mm |
| Rubber seating ring | RIS 205 |