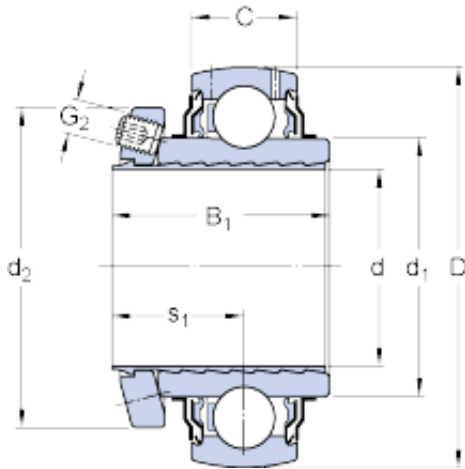




BEARINGS(UK)LTD.

skf YSP 213-211 SB-2F Insert bearings (Y-bearings)

Bearing No. YSP 213-211 SB-2F



YSP 213-211 SB-2F Bearing 2D drawings and 3D CAD models

Size	120x68.262x52.5 mm
Bore Diameter	120 mm
Outer Diameter	68,262 mm
Width	52,5 mm
d	68.262 mm
D	120 mm
B ₁	52.5 mm
C	27 mm
d ₁	82.5 mm
d ₂	89.4 mm
s ₁	30.8 mm
Basic dynamic load rating - C	57.2 kN
Basic static load rating - C ₀	40 kN
Fatigue load limit - P _u	1.7 kN
Limiting speed	3000 r/min
Calculation factor - f ₀	15
Mass bearing	1.45 kg
Thread - G ₂	M6
Hexagonal key size for grub screw - H	3 mm
B ₁	52.7 mm
d ₁	82.5 mm
d ₂	89.4 mm
s ₁	31 mm



BEARINGS(UK)LTD.

Basic dynamic load rating C	57.2 kN
Basic static load rating C_0	40 kN
Fatigue load limit P_u	1.7 kN
Limiting speed ¹⁾	3000 r/min
Calculation factor f_0	15
Mass complete bearing	1.4 kg
Thread grub screw G_2	M6
Hexagonal key size for grub screw N	3.05 mm
Recommended tightening torque for grub screw	7.4 N · m