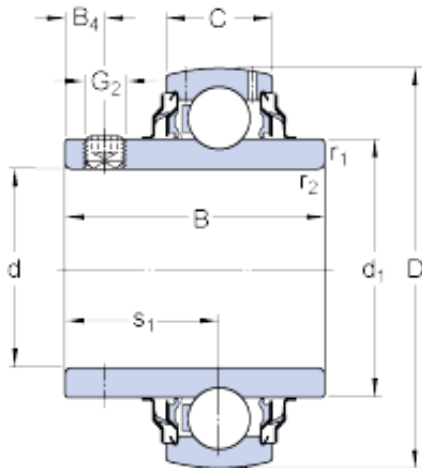




BEARINGS(UK)LTD.



31.75 mm x 72 mm x 42.9 mm skf YAR
207-104-2RF Insert bearings (Y-bearings)

Bearing No. YAR 207-104-2RF

YAR 207-104-2RF Bearing 2D drawings and 3D CAD models

Size	72x31.75x42.9 mm
Bore Diameter	72 mm
Outer Diameter	31,75 mm
Width	42,9 mm
d	31.75 mm
D	72 mm
B	42.9 mm
C	19 mm
d ₁	46.1 mm
B ₄	6 mm
r _{1,2} - min.	1 mm
s ₁	25.4 mm
Basic dynamic load rating - C	25.5 kN
Basic static load rating - C ₀	15.3 kN
Fatigue load limit - P _u	0.655 kN
Limiting speed with shaft tolerance h6	3200 r/min
Calculation factor - f ₀	14
Mass bearing	0.52 kg
Thread - G ₂ - 5/16-24 UNF	5/1624 UNF
Hexagonal key size for grub screw - H	3.969 mm
Category	Bearings
Inventory	0.0



BEARINGS(UK)LTD.

Manufacturer Name	SKF
Minimum Buy Quantity	N/A
Weight / Kilogram	0.498
Product Group	M06110
d_1	46.1 mm
B_4	6 mm
$r_{1,2}$ min.	1 mm
s_1	25.4 mm
Basic dynamic load rating C	25.5 kN
Basic static load rating C_0	15.3 kN
Fatigue load limit P_u	0.655 kN
Limiting speed ¹⁾	3200 r/min
Calculation factor f_0	14
Mass complete bearing	0.51 kg
Thread grub screw G_2	5/16-24 UNF
Hexagonal key size for grub screw N	3.969 mm
Recommended tightening torque for grub screw	6.5 N · m
Rubber seating ring	RIS 207 A