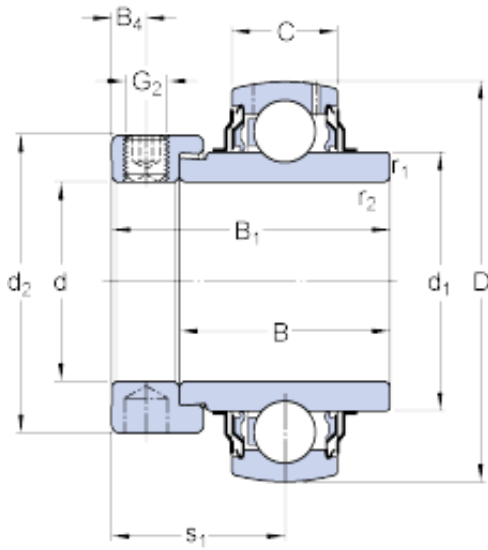




## BEARINGS(UK)LTD.



30 mm x 62 mm x 36.5 mm skf YEL 206-2F  
Insert bearings (Y-bearings)

Bearing No. YEL 206-2F

Size	62x30x48.4 mm
Bore Diameter	62 mm
Outer Diameter	30 mm
Width	48,4 mm
d	30 mm
D	62 mm
B <sub>1</sub>	48.4 mm
C	18 mm
d <sub>1</sub>	39.7 mm
d <sub>2</sub>	44.1 mm
B	36.5 mm
B <sub>4</sub>	5.95 mm
r <sub>1,2</sub> - min.	0.6 mm
s <sub>1</sub>	30.1 mm
Basic dynamic load rating - C	19.5 kN
Basic static load rating - C <sub>0</sub>	11.2 kN
Fatigue load limit - P <sub>u</sub>	0.475 kN
Limiting speed with shaft tolerance h6	6300 r/min
Calculation factor - f <sub>0</sub>	14
Mass bearing	0.36 kg
Thread - G <sub>2</sub>	M8x1
Hexagonal key size for grub screw - H	4 mm

YEL 206-2F Bearing 2D drawings and 3D CAD models



## BEARINGS(UK)LTD.

Category	Insert Bearings Spherical OD
Inventory	0.0
Manufacturer Name	SKF
Minimum Buy Quantity	N/A
Weight / Kilogram	0.36
EAN	7316570826388
Product Group	M06110
Inner Race Profile	Wide Inner Ring
Outer Race Profile	Spherical
Relubricatable	Yes
Seal Type	M Seal
Mounting Method	Eccentric Collar
Rolling Element	Ball Bearing
Snap Ring	No
Long Description	30MM Bore; Wide Inner Ring; Ball Bearing; 48.4MM Length Thru Bore; 18MM Outer Race Width; 62MM Outside Diameter; Relubricatable; M Seal Seal; Eccentric Collar Mounting Method; No Snap Ring
Inch - Metric	Metric
Other Features	Single Row   Standard Duty   With Set Screw   Has Flinger   Metric
Category	Insert Bearings
UNSPSC	31171536
Harmonized Tariff Code	8482.10.50.00
Noun	Bearing
Keyword String	Insert
Manufacturer URL	<a href="http://www.skf.com">http://www.skf.com</a>
Manufacturer Item Number	YEL 206-2F
Weight / LBS	0.794



## BEARINGS(UK)LTD.

Bore	1.181 Inch   30 Millimeter
Outer Race Width	0.709 Inch   18 Millimeter
Outside Diameter	2.441 Inch   62 Millimeter
Length Thru Bore	1.906 Inch   48.4 Millimeter
bore diameter:	30 mm
radial dynamic load capacity:	19.5 kN
outside diameter:	2.4409 in
radial static load capacity:	11.2 kN
outer ring width:	18 mm
bearing material:	Stainless Steel
inner ring width:	48.4 mm
finish/coating:	Black Oxide
bore type:	Round
seal type:	Contact with Flinger
locking device:	Eccentric Collar
series:	YEL2
operating temperature range:	-40 to +210 ° F
$B_1$	48.4 mm
$d_1$	39.7 mm
$d_2$	44.1 mm
$B_4$	5.95 mm
$r_{1,2}$ min.	0.6 mm
$s_1$	30.1 mm
Basic dynamic load rating C	19.5 kN
Basic static load rating $C_0$	11.2 kN
Fatigue load limit $P_u$	0.475 kN
Limiting speed <sup>1)</sup>	6300 r/min
Calculation factor $f_0$	14
Mass complete bearing	0.38 kg
Thread grub screw $G_2$	M8x1
Hexagonal key size for grub	4 mm



## BEARINGS(UK)LTD.

screw N	
Recommended tightening torque for grub screw	6.5 N · m
Rubber seating ring	RIS 206 A