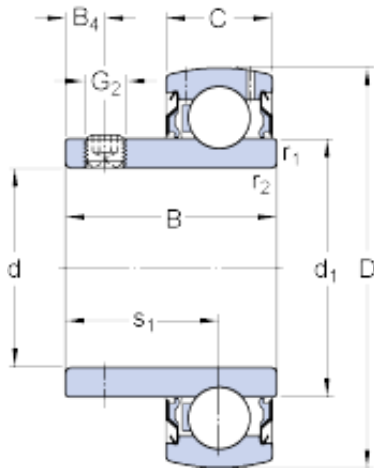




## BEARINGS(UK)LTD.



30.163 mm x 62 mm x 30.2 mm skf YAT  
206-103 Insert bearings (Y-bearings)

Bearing No. YAT 206-103

YAT 206-103 Bearing 2D drawings and 3D CAD models

Size	62x30.163x30.2 mm
Bore Diameter	62 mm
Outer Diameter	30,163 mm
Width	30,2 mm
d	30.163 mm
D	62 mm
B	30.2 mm
C	18 mm
d <sub>1</sub>	39.7 mm
B <sub>4</sub>	5 mm
r <sub>1,2</sub> - min.	0.6 mm
s <sub>1</sub>	21 mm
Basic dynamic load rating - C	19.5 kN
Basic static load rating - C <sub>0</sub>	11.2 kN
Fatigue load limit - P <sub>u</sub>	0.475 kN
Limiting speed with shaft tolerance h6	6300 r/min
Calculation factor - f <sub>0</sub>	14
Mass bearing	0.28 kg
Thread - G <sub>2</sub> - 1/4-28 UNF	1/428 UNF
Hexagonal key size for grub screw - H	3.175 mm
Category	Insert Bearings Spherical OD
Inventory	0.0



## BEARINGS(UK)LTD.

Manufacturer Name	SKF
Minimum Buy Quantity	N/A
Weight / Kilogram	0.22
EAN	7316571504605
Product Group	M06110
Inner Race Profile	Narrow Inner Ring
Outer Race Profile	Spherical
Relubricatable	Yes
Seal Type	M Seal
Mounting Method	Set Screw
Rolling Element	Ball Bearing
Snap Ring	No
Long Description	1-3/16" Bore; Narrow Inner Ring; Ball Bearing; 1.221" Length Thru Bore; 0.709" Outer Race Width; 2.441" Outside Diameter; Relubricatable; M Seal Seal; Set Screw Mounting Method
Inch - Metric	Inch
Other Features	Single Row   Standard Duty   Grub Screw
Category	Insert Bearings
UNSPSC	31171536
Harmonized Tariff Code	8482.10.50.00
Noun	Bearing
Keyword String	Insert
Manufacturer URL	<a href="http://www.skf.com">http://www.skf.com</a>
Manufacturer Item Number	YAT 206-103
Weight / LBS	0.485
Bore	1.188 Inch   30.175 Millimeter
Length Thru Bore	1.221 Inch   31.013 Millimeter



## BEARINGS(UK)LTD.

Outer Race Width	0.709 Inch   18.009 Millimeter
Outside Diameter	2.441 Inch   62.001 Millimeter
bore diameter:	1.1875 in
locking device:	Set Screw
outside diameter:	2.4409 in
radial dynamic load capacity:	19.5 kN
outer ring width:	18 mm
radial static load capacity:	11.2 kN
inner ring width:	31 mm
finish/coating:	Uncoated
bore type:	Round
maximum rpm:	6300 RPM
$d_1$	39.7 mm
$B_4$	5 mm
$r_{1,2}$ min.	0.6 mm
$s_1$	21 mm
Basic dynamic load rating C	19.5 kN
Basic static load rating $C_0$	11.2 kN
Fatigue load limit $P_u$	0.475 kN
Limiting speed <sup>1)</sup>	6300 r/min
Calculation factor $f_0$	14
Mass complete bearing	0.26 kg
Thread grub screw $G_2$	1/4-28 UNF
Hexagonal key size for grub screw N	3.175 mm
Recommended tightening torque for grub screw	4 N · m
Rubber seating ring	RIS 206 A