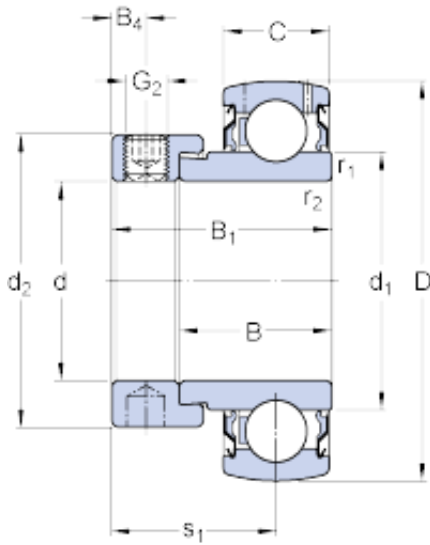




BEARINGS(UK)LTD.



61.913 mm x 110 mm x 37.2 mm skf YET
212-207 Insert bearings (Y-bearings)

Bearing No. YET 212-207

Size	110x61.913x53.1 mm
Bore Diameter	110 mm
Outer Diameter	61,913 mm
Width	53,1 mm
d	61.913 mm
D	110 mm
B ₁	53.1 mm
C	26 mm
d ₁	75.64 mm
d ₂	82 mm
B	37.2 mm
B ₄	7.95 mm
r _{1,2} - min.	1.5 mm
s ₁	40.1 mm
Basic dynamic load rating - C	52.7 kN
Basic static load rating - C ₀	36 kN
Fatigue load limit - P _u	1.5 kN
Limiting speed with shaft tolerance h6	3400 r/min
Calculation factor - f ₀	14
Mass bearing	1.3 kg
Thread - G ₂ - 7/16-20 UNF	7/1620 UNF
Hexagonal key size for grub screw - H	5.556 mm

YET 212-207 Bearing 2D drawings and 3D CAD models



BEARINGS(UK)LTD.

Category	Insert Bearings Spherical OD
Inventory	0.0
Manufacturer Name	SKF
Minimum Buy Quantity	N/A
Weight / Kilogram	1.2
Product Group	M06110
Inner Race Profile	Narrow Inner Ring
Outer Race Profile	Spherical
Relubricatable	Yes
Seal Type	M Seal
Mounting Method	Eccentric Collar
Rolling Element	Ball Bearing
Snap Ring	No
Long Description	2-7/16" Bore; Narrow Inner Ring; Ball Bearing; 2.091" Length Thru Bore; 1.024" Outer Race Width; 4.331" Outside Diameter; Relubricatable; M Seal Seal; Eccentric Collar Mounting Met
Inch - Metric	Inch
Other Features	Single Row Standard Duty With Set Screw
Category	Insert Bearings
UNSPSC	31171536
Harmonized Tariff Code	8482.10.50.00
Noun	Bearing
Keyword String	Insert
Manufacturer URL	http://www.skf.com
Manufacturer Item Number	YET 212-207
Weight / LBS	2.65
Outer Race Width	1.024 Inch 26.01 Millimeter



BEARINGS(UK)LTD.

Outside Diameter	4.331 Inch 110.007 Millimeter
Length Thru Bore	2.091 Inch 53.111 Millimeter
Bore	2.438 Inch 61.925 Millimeter
B ₁	52.6 mm
d ₁	75.64 mm
d ₂	82 mm
B ₄	7.95 mm
r _{1,2} min.	1.5 mm
s ₁	39.6 mm
Basic dynamic load rating C	52.7 kN
Basic static load rating C ₀	36 kN
Fatigue load limit P _u	1.53 kN
Limiting speed ¹⁾	3400 r/min
Calculation factor f ₀	14
Mass complete bearing	1.25 kg
Thread grub screw G ₂	7/16-20 UNF
Hexagonal key size for grub screw N	5.556 mm
Recommended tightening torque for grub screw	28.5 N · m