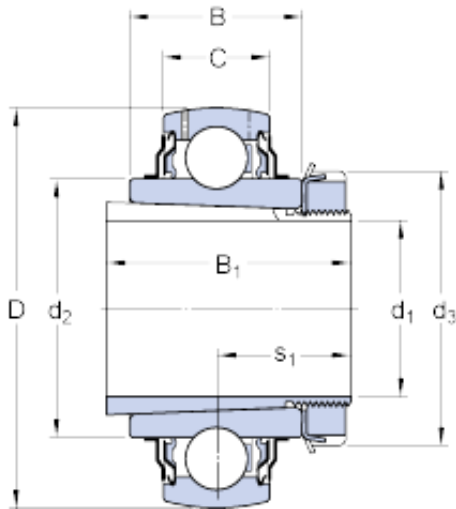




BEARINGS(UK)LTD.

57.15 mm x 120 mm x 43.5 mm skf YSA
213-2FK + HE 2313 Insert bearings (Y-bearings)



Bearing No. YSA 213-2FK + HE 2313

Size	120x57.15x65 mm
Bore Diameter	120 mm
Outer Diameter	57,15 mm
Width	65 mm
d_1	57.15 mm
D	120 mm
B_1	65 mm
B	43.5 mm
C	27 mm
d_2	82.5 mm
d_3	85 mm
s_1 - ?	35.4 mm
Basic dynamic load rating - C	57.2 kN
Basic static load rating - C_0	40 kN
Fatigue load limit - P_u	1.7 kN
Limiting speed	3000 r/min
Calculation factor - f_0	15
d	57.15 mm
B_1	65 mm
d_1	82.5 mm
d_3	85 mm
s_1	35.3 mm
Basic dynamic load rating C	57.2 kN
Basic static load rating C_0	40 kN

YSA 213-2FK + HE 2313 Bearing 2D drawings and 3D CAD models



BEARINGS(UK)LTD.

Fatigue load limit P_u	1.7 kN
Limiting speed ¹⁾	3000 r/min
Calculation factor f_0	15
Mass bearing + adapter sleeve	2.05 kg
Associated spanner	HN 12-13
Recommended lock nut tightening angle	100 °