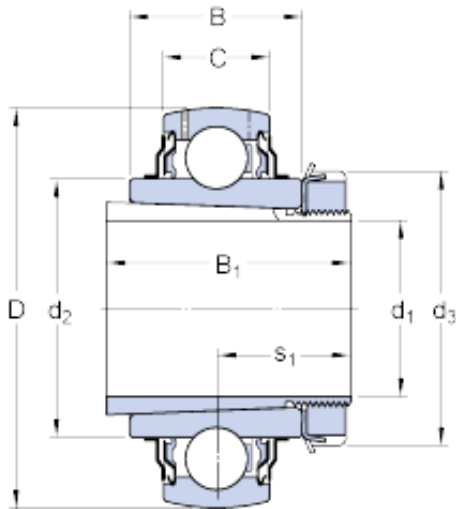




BEARINGS(UK)LTD.

40 mm x 85 mm x 35 mm skf YSA 209-2FK + H 2309 Insert bearings (Y-bearings)



Bearing No. YSA 209-2FK + H 2309

Size	85x40x50 mm
Bore Diameter	85 mm
Outer Diameter	40 mm
Width	50 mm
d_1	40 mm
D	85 mm
B_1	50 mm
B	35 mm
C	22 mm
d_2	56.8 mm
d_3	65 mm
s_1 - ?	29 mm
Basic dynamic load rating - C	33.2 kN
Basic static load rating - C_0	21.6 kN
Fatigue load limit - P_u	0.915 kN
Limiting speed	4300 r/min
Calculation factor - f_0	14
d	40 mm
B_1	50 mm
d_1	56.8 mm
d_3	65 mm
s_1	29 mm
Basic dynamic load rating C	33.2 kN
Basic static load rating C_0	21.6 kN

YSA 209-2FK + H 2309 Bearing 2D drawings and 3D CAD models



BEARINGS(UK)LTD.

Fatigue load limit P_u	0.915 kN
Limiting speed ¹⁾	4300 r/min
Calculation factor f_0	14
Mass bearing + adapter sleeve	0.84 kg
Associated spanner	HN 8-9
Recommended lock nut tightening angle	110 °