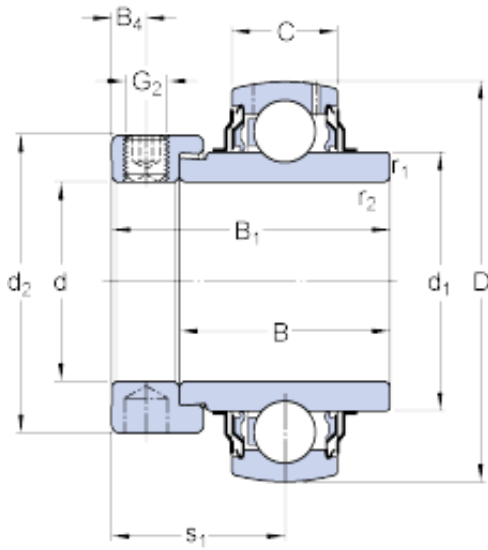




BEARINGS(UK)LTD.



36.513 mm x 72 mm x 37.6 mm skf YEL
207-107-2F Insert bearings (Y-bearings)

Bearing No. YEL 207-107-2F

Size	72x36.513x51.1 mm
Bore Diameter	72 mm
Outer Diameter	36,513 mm
Width	51,1 mm
d	36.513 mm
D	72 mm
B ₁	51.1 mm
C	19 mm
d ₁	46.1 mm
d ₂	51.1 mm
B	37.6 mm
B ₄	6.75 mm
r _{1,2} - min.	1 mm
s ₁	32.3 mm
Basic dynamic load rating - C	25.5 kN
Basic static load rating - C ₀	15.3 kN
Fatigue load limit - P _u	0.655 kN
Limiting speed with shaft tolerance h6	5300 r/min
Calculation factor - f ₀	14
Mass bearing	0.53 kg
Thread - G ₂ - 3/8-24 UNF	3/824 UNF
Hexagonal key size for grub screw - H	4.762 mm

YEL 207-107-2F Bearing 2D drawings and 3D CAD models



BEARINGS(UK)LTD.

Category	Insert Bearings Spherical OD
Inventory	0.0
Manufacturer Name	SKF
Minimum Buy Quantity	N/A
Weight / Kilogram	0.52
EAN	7316577754721
Product Group	M06110
Inner Race Profile	Wide Inner Ring
Outer Race Profile	Spherical
Relubricatable	Yes
Seal Type	M Seal
Mounting Method	Eccentric Collar
Rolling Element	Ball Bearing
Snap Ring	No
Long Description	1-7/16" Bore; Wide Inner Ring; Ball Bearing; 2.012" Length Thru Bore; 0.748" Outer Race Width; 2.835" Outside Diameter; Relubricatable; M Seal Seal; Eccentric Collar Mounting Metho
Inch - Metric	Inch
Other Features	Single Row Standard Duty With Set Screw Has Flinger
Category	Insert Bearings
UNSPSC	31171536
Harmonized Tariff Code	8482.10.50.00
Noun	Bearing
Keyword String	Insert
Manufacturer URL	http://www.skf.com
Manufacturer Item Number	YEL 207-107-2F
Weight / LBS	1.15



BEARINGS(UK)LTD.

Outside Diameter	2.835 Inch 72.009 Millimeter
Outer Race Width	0.748 Inch 18.999 Millimeter
Bore	1.438 Inch 36.525 Millimeter
Length Thru Bore	2.012 Inch 51.105 Millimeter
bore diameter:	1.4375 in
radial dynamic load capacity:	25.5 kN
outside diameter:	72 mm
radial static load capacity:	15.3 kN
outer ring width:	19 mm
bearing material:	Stainless Steel
inner ring width:	51.1 mm
finish/coating:	Zinc Plated
bore type:	Round
maximum rpm:	5300 RPM
locking device:	Eccentric Collar
seal type:	Contact with Flinger
operating temperature range:	-40 to +210 ° F
series:	YEL2
B ₁	51.1 mm
d ₁	46.1 mm
d ₂	51.1 mm
B ₄	6.75 mm
r _{1,2} min.	1 mm
s ₁	32.3 mm
Basic dynamic load rating C	25.5 kN
Basic static load rating C ₀	15.3 kN
Fatigue load limit P _u	0.655 kN
Limiting speed ¹⁾	5300 r/min



BEARINGS(UK)LTD.

Calculation factor f_0	14
Mass complete bearing	0.51 kg
Thread grub screw G_2	3/8-24 UNF
Hexagonal key size for grub screw N	4.763 mm
Recommended tightening torque for grub screw	16.5 N · m
Rubber seating ring	RIS 207 A