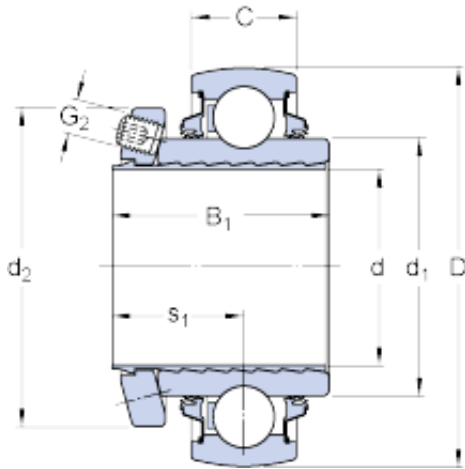




BEARINGS(UK)LTD.



YSPAG 209 Bearing 2D drawings and 3D CAD models

skf YSPAG 209 Insert bearings (Y-bearings)

Bearing No. YSPAG 209

Size	85x45x44 mm
Bore Diameter	85 mm
Outer Diameter	45 mm
Width	44 mm
d	45 mm
D	85 mm
B ₁	44 mm
C	22 mm
d ₁	56.8 mm
d ₂	67 mm
s ₁	26.5 mm
Basic dynamic load rating - C	33.2 kN
Basic static load rating - C ₀	21.6 kN
Fatigue load limit - P _u	0.915 kN
Limiting speed	850 r/min
Calculation factor - f ₀	14
Mass bearing	0.64 kg
Thread - G ₂	M6
Hexagonal key size for grub screw - H	3 mm
Category	Bearings
Inventory	0.0
Manufacturer Name	SKF
Minimum Buy Quantity	N/A
Weight / Kilogram	0



BEARINGS(UK)LTD.

Product Group	M06110
B_1	44.2 mm
d_1	56.8 mm
d_2	67 mm
s_1	26.7 mm
Basic dynamic load rating C	33.2 kN
Basic static load rating C_0	21.6 kN
Fatigue load limit P_u	0.915 kN
Limiting speed ¹⁾	850 r/min
Calculation factor f_0	14
Mass complete bearing	0.64 kg
Thread grub screw G_2	M6
Hexagonal key size for grub screw N	3.05 mm
Recommended tightening torque for grub screw	7.4 N · m