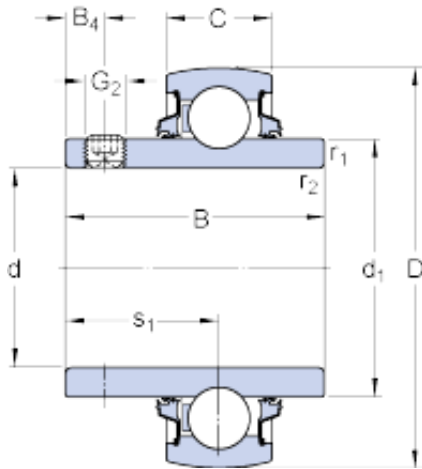




## BEARINGS(UK)LTD.



### 49.212 mm x 90 mm x 51.6 mm skf YARAG 210-115 Insert bearings (Y-bearings)

Bearing No. YARAG 210-115

d	49.212 mm
D	90 mm
B	51.6 mm
C	22 mm
d <sub>1</sub>	62.51 mm
B <sub>4</sub>	9 mm
r <sub>1,2</sub> min.	1 mm
s <sub>1</sub>	32.6 mm
Basic dynamic load rating C	35.1 kN
Basic static load rating C <sub>0</sub>	23.2 kN
Fatigue load limit P <sub>u</sub>	0.98 kN
Limiting speed <sup>1)</sup>	800 r/min
Calculation factor f <sub>0</sub>	14
Mass complete bearing	0.77 kg
Thread grub screw G <sub>2</sub>	3/8-24 UNF
Hexagonal key size for grub screw N	4.763 mm
Recommended tightening torque for grub screw	16.5 N · m

YARAG 210-115 Bearing 2D drawings and 3D CAD models