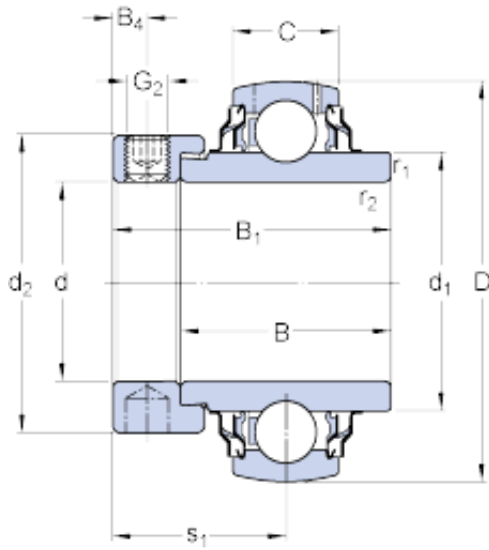




## BEARINGS(UK)LTD.



30 mm x 62 mm x 36.5 mm skf YEL  
206-2RF/VL065 Insert bearings (Y-bearings)

Bearing No. YEL 206-2RF/VL065

Size	62x30x48.4 mm
Bore Diameter	62 mm
Outer Diameter	30 mm
Width	48,4 mm
d	30 mm
D	62 mm
B <sub>1</sub>	48.4 mm
C	18 mm
d <sub>1</sub>	39.7 mm
d <sub>2</sub>	44.1 mm
B	36.5 mm
B <sub>4</sub>	5.95 mm
r <sub>1,2</sub> - min.	0.6 mm
s <sub>1</sub>	30.1 mm
Basic dynamic load rating - C	19.5 kN
Basic static load rating - C <sub>0</sub>	11.2 kN
Fatigue load limit - P <sub>u</sub>	0.475 kN
Limiting speed with shaft tolerance h6	3900 r/min
Calculation factor - f <sub>0</sub>	14
Mass bearing	0.36 kg
Thread - G <sub>2</sub>	M8x1
Hexagonal key size for grub screw - H	4 mm

YEL 206-2RF/VL065 Bearing 2D drawings and 3D CAD models



## BEARINGS(UK)LTD.

Category	Bearings
Inventory	0.0
Manufacturer Name	SKF
Minimum Buy Quantity	N/A
Weight / Kilogram	0.375
Product Group	M06110
$B_1$	48.4 mm
$d_1$	39.7 mm
$d_2$	44.1 mm
$B_4$	5.95 mm
$r_{1,2}$ min.	0.6 mm
$s_1$	30.1 mm
Basic dynamic load rating C	19.5 kN
Basic static load rating $C_0$	11.2 kN
Fatigue load limit $P_u$	0.475 kN
Limiting speed <sup>1)</sup>	3800 r/min
Calculation factor $f_0$	14
Mass complete bearing	0.38 kg
Thread grub screw $G_2$	M8x1
Hexagonal key size for grub screw N	4 mm
Recommended tightening torque for grub screw	6.5 N · m
Rubber seating ring	RIS 206 A